

PHOTOFINISHING SERVICES & PRICE LIST

July 10, 2022



25 - 7th Ave. S., Suite 200
St. Cloud, MN 56301-3670

800-793-0112
320-259-5826

TABLE OF CONTENTS

PAGE

| | |
|-------|--|
| 1k. | Digital Printing using our In-Store Kiosks |
| 1. | Digital Printing up to 12" Wide |
| 2. | Wide Format Enlargements, Giclee Fine Art Prints, Mounting Service |
| 3. | 35mm C-41 Film Processing and Scanning |
| 4. | 35mm Color Reprints, Enlargements, Scanning |
| 5. | Print Scanning and Copy Services |
| 6. | “Shoebox” Photo Archive Scanning |
| 7. | Scanning Services—Negatives, Slides, Transparencies |
| 8. | DVD Slideshows |
| 9. | Slide Processing, Duplicating and Copy Services |
| 10. | Slides & Transparencies—Printing and Scanning |
| 11. | Movie Transfer Services—Super 8, Regular 8, and 16mm |
| 12. | Video Tape , DVD, and Audio Transfer and Duplication |
| 13. | Black & White Develop & Print and Scanning |
| 14. | Black & White Printing & Enlargements |
| 15-16 | Miscellaneous Film Processing Services: 110, 126, 127, C-22, Disc, Kodachrome, Seattle, 35½ Frame, 4x5 Sheet Film |
| 17. | Photo Gifts & Novelty Items |
| 18. | Canvas Prints & Metal Art |
| 19. | Greeting Cards; Press Printed Products; Business Cards |
| 20. | Restoration, Enhancement, and Memory Card Recovery Services |
| 21. | APS (Advantix or Nexia) Film Processing, Enlargements & Scanning |
| 22-24 | <u>Professional Processing on Kodak Professional ENDURA Paper (120 & 35mm)</u> |
| 22. | 120 Professional Process, Print, and Enlargements |
| 23. | 35mm Professional Film Processing |
| 24. | 35mm Professional Reprints, Enlargements & Scanning |
| 25-28 | Film Size Identification Guide |
| 29. | INDEX OF SERVICES |

CDRs, DVDs, USB Drives

When you order digital services (scanning, video transfers, etc.), we can return the digital files to you on your choice of media. The price we charge for the media includes (1) the media itself, and (2) our service of writing the files to the media. If you supply your own media (USB Drive or Hard Drive), you may still incur a fee for our writing service.

Price for typical digital services:

| | |
|---------------------------|---------|
| CDR | \$4.99 |
| DVD | \$14.95 |
| WeTransfer Service | \$4.99 |
| Email Delivery..... | \$4.99 |
| USB Drive (16GB)..... | \$9.95 |
| Writing to your media ... | \$4.99 |

Digital Prints & Enlargements up to 12" Wide

From Cell phones, CDs, DVDs, and Digital Camera Memory Cards

July 10, 2022

Kodak Digital Royal Paper: Matte or Glossy

Our qualified technicians optimize the color and exposure of every image before printing your pictures on Kodak Digital Royal paper. Choose Matte or Glossy finish. Surcharges may apply - see bottom of this page.

Minimum Order Fee: \$6.00 per order.

Digital Reprints on Royal Paper

Service Time: 2 Hours (based on processing volume)
CROPPING: Add \$.99 per **image file** for 3½x5 to 4x6 prints.
White Borders: \$2.00 per order.

Quantity prices apply to the total same-size prints in one order.

| Quantity per order ▶ | 1-24 | 25-499 | 500+ |
|----------------------|------|--------|------|
| 4x6, 4x5, 3½x5 | .50 | .45 | .35 |
| Polaroid 3½x4 | .65 | .65 | .65 |

Digital Enlargements on Royal Paper

Service Time: 2 Hours
CROPPING: Add \$2.99 per **image file** for enlargements.

Quantity prices are per print from SAME image file.

| Qty per image file ▶ | 1-2 | 3-23 | 24-49 | 50-99 |
|----------------------|-------|-------|-------|-------|
| 5x7 | 2.99 | 2.50 | 1.75 | 1.10 |
| 6x9 | 4.50 | 3.10 | 2.25 | 1.55 |
| 8x10 | 6.25 | 4.95 | 3.45 | 2.30 |
| 8x12 | 7.50 | 5.85 | 4.00 | 2.85 |
| 11x14 or 10x13 | 16.00 | 13.30 | 7.75 | 5.99 |
| 11x16 | 19.00 | 14.55 | 9.00 | 6.55 |
| 12x12 Album Pg | 9.99 | 9.99 | 7.75 | 5.99 |
| 12x18 or 10x20 | 21.50 | 15.85 | 12.75 | 10.35 |
| 12x24 | 24.00 | 18.25 | 14.90 | 12.40 |

8 wallets die cut (round corners).....\$6.25 per sheet
2 wallets, uncut 1.50 Add \$.15 each for die cutting
16 Mini-Wallets, uncut6.25 per sheet

Panoramic Prints

Panoramic prints are available in various sizes and formats from smart phones and digital cameras. We can print virtually any size you request. These are typical sizes:

| | | | |
|------|-------|-------|-------|
| 4x12 | 2.90 | 6x30 | 20.70 |
| 4x18 | 6.90 | 8x24 | 23.00 |
| 5x15 | 10.30 | 10x30 | 26.50 |
| 5x20 | 12.65 | 10x36 | 31.00 |
| 6x18 | 16.00 | 12x30 | 31.00 |
| 6x24 | 18.40 | 12x36 | 36.00 |

For panoramic prints larger than 12x36", see page 2

Image File Specifications for Digital Printing

File Size: JPEG (jpg) files less than 8 MB Color Mode: RGB
TIFF (tif) files less than 30 MB Color Space: sRGB

File Conversion Fees apply to image files that do not meet the above specifications. (e.g. RAW camera files, Photoshop PSD files, large TIFF files and files in CMYK or Grayscale color mode.)

File Conversion Fee:

| | |
|--------------|-----------------|
| 1 - 3 files | \$3.00 per file |
| 4 - 24 files | \$2.50 per file |
| 25 + files | \$2.00 per file |

Kodak Endura Professional Paper: Lustre

Our qualified technicians optimize the color, exposure and contrast of every image before printing your pictures on Kodak Professional ENDURA paper.

Minimum Order Fee: \$6.00 per order.

Digital Reprints on Endura Lustre

Service Time: 2 Hours (based on processing volume)
CROPPING: Add \$.99 per **image file** for 3½x5 to 4x6 prints.
White Borders: \$2.00 per order.

Quantity prices apply to the total same-size prints in one order.

| Quantity per order ▶ | 1-24 | 25-499 | 500+ |
|----------------------|------|--------|------|
| 3½x5 | .59 | .49 | .40 |
| 4x5 | .59 | .49 | .40 |
| 4x6 | .60 | .50 | .40 |

Digital Enlargements on Endura Lustre

Service Time: 2 Hours
CROPPING: Add \$2.99 per **image file** for enlargements.

Quantity prices are per print from SAME image file.

| Qty per image file ▶ | 1-2 | 3-23 | 24-49 | 50-99 |
|----------------------|-------|-------|-------|-------|
| 5x5 | 2.85 | 2.15 | 1.45 | 1.15 |
| 5x7 | 3.49 | 2.60 | 1.85 | 1.20 |
| 8x10 | 6.99 | 5.20 | 3.75 | 2.50 |
| 8x12 or 10x10 | 8.50 | 6.20 | 4.40 | 3.10 |
| 11x14 or 10x13 | 17.50 | 13.60 | 8.00 | 6.20 |
| 11x16 | 20.50 | 14.90 | 9.30 | 6.85 |
| 12x12 Album Pg | 12.00 | 12.00 | 8.75 | 6.99 |
| 12x18 or 10x20 | 23.00 | 16.10 | 13.00 | 10.70 |
| 12x24 | 26.00 | 18.70 | 14.90 | 12.45 |
| 12x30 | 33.00 | 24.00 | 18.50 | 16.00 |
| 12x36 | 38.00 | 28.75 | 23.00 | 19.25 |

8 wallets die cut \$6.99
2 wallets, uncut .. 1.60 Add \$.15 each for die cutting

See **WIDE FORMAT ENLARGEMENTS**, page 2, for 16x16" to 44x96" digital prints.

Memory Card Images to CD, DVD, USB

Memory cards may require more than one CD or DVD, depending on the quantity of images & size(s) of image files. Choose a USB Drive for even more storage space. Add \$9.95.

Direct Transfer (no image corrections applied)..... 7.50 per CD
Direct Transfer (no image corrections applied)... 18.00 per DVD*
* NOTE: DVD is not a "playable DVD"
Index Print - 40 images per sheet..... 1.99 per sheet
Correct color, exposure & contrast of images..... .30 per image

READ THIS NOTICE: Submitting any film, print, digital media, or images in any form to this firm for processing, printing, or other handling constitutes an AGREEMENT by you that any damage or loss by our company, subsidiary, or agents, even though by our negligence or other fault, will only entitle you to replacement with a like amount of imaging media or unexposed film and processing, if available. The acceptance by us of the film, print, digital media, or images is without other warranty or liability, and recovery for any incidental or consequential damages is excluded. 90-day unclaimed orders will be considered abandoned.



Wide Format Enlargements & Mounting Service

July 10, 2022

Enlargements from Digital Images, 35mm & 120 Negatives, Slides & Transparencies

Service Time: 3 Lab Days

Enlargements as large as 44x96" are printed on *Archival photo paper*. **Lustre** is standard; **Glossy**, if requested, is available on sizes up to 24" wide. Our qualified technicians optimize the color and exposure of each image.

When submitting digital files for enlargements (including *Giclee Fine Art Prints*) be aware that large image files are needed to produce optimum quality. We can print digital files from most file formats and application programs. When preparing files in Photoshop, please "flatten" layered files and save as TIFF or JPEG files.

Mounting adds 2 lab days to the service time. → Mounting price is in addition to the enlargement price and includes both the mount board & mounting service.

| Quantity from same image ▶ | First Print | Duplicate Print |
|----------------------------|-------------|-----------------|
| 16x16 | 28.00 | 23.00 |
| 16x20 | 34.00 | 28.00 |
| 16x24 | 40.00 | 32.00 |
| 20x20 | 38.00 | 32.00 |
| 20x24 | 46.00 | 36.00 |
| 20x30 | 58.00 | 45.00 |
| 24x30 | 69.00 | 54.00 |
| 24x36 | 82.00 | 65.00 |
| 24x48 | 110.00 | 86.00 |
| 30x40 | 115.00 | 90.00 |
| 30x48 | 138.00 | 108.00 |
| 36x48 | 165.00 | 130.00 |
| 36x60 | 205.00 | 160.00 |
| 40x48 | 180.00 | 144.00 |
| 40x60 | 230.00 | 180.00 |
| 44x60 | 250.00 | 198.00 |
| 44x72 | 300.00 | 238.00 |
| 44x96 | 400.00 | 316.00 |
| 10x40 Panoramic | 42.00 | 32.00 |
| 14x42 Panoramic | 56.00 | 43.00 |
| 16x48 Panoramic | 74.00 | 55.00 |
| 16x60 Panoramic | 92.00 | 69.00 |
| 20x72 Panoramic | 138.00 | 104.00 |
| 24x72 Panoramic | 165.00 | 124.00 |
| 24x96 Panoramic | 220.00 | 165.00 |
| 36x72 Panoramic | 248.00 | 186.00 |
| 36x96 Panoramic | 330.00 | 248.00 |
| 40x72 Panoramic | 275.00 | 207.00 |
| 40x96 Panoramic | 368.00 | 276.00 |

Pricing Non-Standard Size Wide Format Prints:
For sizes not listed above, the price is 13.75/sq ft.

Mounting Service for Enlargements

Service Time: add 2 days to the time required to print the enlargement. Price includes either 3/16" premium black-core Gatorfoam® or 3/32" Mat Board (11x14 maximum size for Mat Board).

| | | | |
|-------|-------|-------|-------|
| 5x7 | 8.25 | 24x36 | 53.95 |
| 8x10 | 10.75 | 24x48 | 63.50 |
| 8x12 | 11.95 | 30x40 | 77.95 |
| 11x14 | 14.30 | 30x48 | 83.95 |
| 11x16 | 17.95 | 4x18 | 11.95 |
| 12x18 | 19.25 | 5x20 | 17.95 |
| 16x20 | 23.95 | 6x24 | 21.50 |
| 16x24 | 27.50 | 8x24 | 22.95 |
| 20x24 | 35.95 | 10x30 | 29.95 |
| 20x30 | 42.95 | 12x36 | 39.95 |
| 24x30 | 47.95 | 14x42 | 53.95 |

Additional Mounting Sizes are available. Please call for a price quote for your specific requirements.

¹ Flat shipping charge of \$14.00 per order is required on these sizes of mounted enlargements if shipping is requested.

² Flat shipping charge of \$24.00 per order is required on these sizes of mounted enlargements if shipping is requested.

LIABILITY NOTICE: Photographs, copies, or artwork **not produced by The Camera Shop** are accepted by The Camera Shop for mounting, coating, laminating or related services without warranty or liability of any kind.

Giclee Fine Art Prints

Service Time: 5 Lab Days

Giclee Fine Art Prints are our finest archival enlargements printed on premium heavy stock paper as large as 24" inches wide and 36" long. Giclee prints are available on either a smooth or textured paper, which allows you to choose how you wish to display your image.

Smooth Paper: Our Smooth Fine Art Paper gives you a detailed print of your image with bright colors on a heavy stock paper.

Textured Paper: Our Textured Fine Art Paper gives your image the look of a watercolor painting.

| Giclee Fine Art Prints | First Print | Duplicate Print |
|------------------------|-------------|-----------------|
| 8x10 | 34.00 | 29.00 |
| 11x14 | 40.00 | 35.00 |
| 16x20 | 46.00 | 40.00 |
| 20x24 | 64.00 | 52.00 |
| 20x30 | 75.00 | 58.00 |
| 24x30 | 92.00 | 75.00 |
| 24x36 | 120.00 | 92.00 |

READ THIS NOTICE: Submitting any film, print, digital media, or images in any form to this firm for processing, printing, or other handling constitutes an AGREEMENT by you that any damage or loss by our company, subsidiary, or agents, even though by our negligence or other fault, will only entitle you to replacement with a like amount of imaging media or unexposed film and processing, if available. The acceptance by us of the film, print, digital media, or images is without other warranty or liability, and recovery for any incidental or consequential damages is excluded. 90-day unclaimed orders will be considered abandoned.



320-251-2622 St. Cloud, MN

All prices, specifications & service times are subject to change without notice.

35mm Film Processing and Scanning

C-41 Process 35mm Color Prints on KODAK ROYAL PAPER

July 10, 2022

Develop with 4x6 or 3½x5 Prints

Service Time: 1 Day

Same day processing, per roll \$2.00

Our qualified technicians optimize the color and exposure of every image while printing on Kodak Royal Paper.

- FREE INDEX PRINT included
- Choose Matte or Glossy finish
- Multiple sizes available - 4x6 or 3½x5 (or 5x7 - below)
- Add your photos to a CD for easy reorders of reprints and enlargements, or to import images into your computer ►

Minimum Charge: \$5.95 *Develop Only* fee (for blank film)

| 35mm C-41 Processing | 4x6 or 3½x5 First Set | Identical Second Set |
|---|--------------------------|-------------------------|
| 24 Exposure | 17.95 | 9.60 |
| 27 Exposure Single Use Camera. | 19.45 | 10.80 |
| 36 Exposure | 23.95 | 14.40 |
| Discount for unprinted negatives | 50 each..... | 40 each..... |
| Additional full sets of prints, per print..... | 40 each | |
| Panoramic 35mm images mixed in your roll, per 4x12" print..... | 1.50 each | |

White Borders, add..... 2.00 per roll

BLACK & WHITE or **SEPIA-TONED PRINTS** from color film, see pages 13 and 14 for pricing.

Develop with 5x7 BIG Prints

- FREE INDEX PRINT (3½x5)
- Choose Matte or Glossy finish
- Add scans of your film for easy reorders of reprints and enlargements, or to import images into your computer

| 35mm C-41 Processing | 5x7 First Set | 5x7 2nd Set |
|--|------------------|----------------|
| 24 Exposure - 5x7 size | 28.51 | 17.76 |
| 36 Exposure - 5x7 size | 39.79 | 26.64 |
| Discount for unprinted negatives | 94 each..... | 74 each..... |
| Additional full sets of prints, per print..... | 74 each | |

Develop Only (No Prints Requested)

Service Time: 1 day

Same day processing, per roll \$2.00

Processed negatives are cut into 4-frame strips and packaged in flat sleeving unless requested uncut.

24 or 36 Exposure C-41

Cross Processing: E-6 film in C-41 process, add \$2.95

Index Print Only from Developed Film

Service Time: 1 Day..... 3.99

READ THIS NOTICE: Submitting any film, print, digital media, or images in any form to this firm for processing, printing, or other handling constitutes an AGREEMENT by you that any damage or loss by our company, subsidiary, or agents, even though by our negligence or other fault, will only entitle you to replacement with a like amount of imaging media or unexposed film and processing, if available. The acceptance by us of the film, print, digital media, or images is without other warranty or liability, and recovery for any incidental or consequential damages is excluded. 90-day unclaimed orders will be considered abandoned.

Scan 35mm Rolls

Service Time: 1 Day

Scans are an excellent medium for archiving your precious memories and ordering additional prints. All of our scan options have high quality color corrected image files matching the images you receive on Kodak Royal Paper.

We combine multiple rolls of film onto one CD; however the **price is per ROLL** of film. 500 Reprint Quality¹ scans or 135 Enlargement Quality² scans fit onto one CD. A CD Index Print of each roll is included at no charge.

| Scanning Price per Roll with Develop & Print..... | ¹ Reprint Quality Scans | ² Enlargement Quality Scans | ³ Super Resolution Scans |
|---|------------------------------------|--|-------------------------------------|
| 5.99..... | 10.99 | 19.99 | |

Plus 35mm Develop & Print fee (see left column)

Scanning Price per uncut roll with NO Prints..... 8.99* 13.99* 24.99*

*Add *Develop Only* charge if roll is unprocessed

¹ **Reprint quality CD:** Will produce high quality 3½x5, 4x6 and 5x7 prints. Pixel dimensions: 1500 x 1000

² **Enlargement Quality CD:** Will produce high quality enlargements and cropped reprints. Pixel dimensions: 3000 x 2000

³ **Super Resolution 35mm Scan:** Will produce Posters & Wide Format Enlargements. Pixel dimensions: 6700 x 4400. One CD holds up to 25 scans.

Scans are saved as highest quality JPEG files (Level 12 JPEG compression). TIFF format files are available for an additional \$5.00 setup charge per order (any number of rolls).

Damaged Film / Push Processing

Service Times: Push - 2 lab days; Wet or Damaged - 1 week

Push processing is NOT recommended. However if you must push your C-41 film, only 2 f/stops of speed increase can be achieved. **Improved results are not guaranteed.**

Push Processing, add 3.95 per roll

Wet Film or Film with Damaged Sprockets

Processing surcharge 14.95 per roll

8½x11" Proof Sheet from 35mm Rolls

Service Time: 2 Lab Days

Negatives are scanned, color corrected, and digitally printed on an 8½x11" contact sheet which resembles a traditional contact sheet. Then we sleeve the negatives.

8½x11 Proof Sheet (with *Develop & Print* or *Develop to CD—No Prints* service).....add 8.50

8½x11 Proof Sheet with NO prints orderedadd 11.50*

* Add *Develop Only* charge if roll is unprocessed

Develop with Enlargements

From full roll at time of developing. 2-day Service.

8x12 size (plus *Develop Only* charge).....4.25 each

11x14 size (plus *Develop Only* charge).....8.25 each



320-251-2622 St. Cloud, MN

All prices, specifications & service times are subject to change without notice.

35mm Color Reprints, Enlargements & Scanning

From 35mm C-41 Color negatives, printed on KODAK ROYAL PAPER

July 10, 2022

Color 35mm Reprints & Enlargements

Service Time: Reprints - 2 days; Enlargements - 3 days

Negatives are scanned on an industrial high resolution scanner incorporating "Digital ICE" Dust and Scratch removal. Our qualified technicians optimize the color and exposure of every image while printing on Kodak Royal Paper.

Quantity prices are per print from SAME negative.

Matte finish is standard; Glossy available on request.

Single (cut) 35mm negatives: add \$.99 per negative to print.

For old-fashioned **Sepia Tone** prints:

Add \$.50 **per negative** for wallet to 4x6 print sizes.

Add \$1.00 **per negative** for 5x7 to 12x18 enlargements.

To precisely match the sepia color of a reference print that you submit, add \$3.95 per negative.

CROPPING: Add \$.99 per **negative** for 3½x5 or 4x6 prints.

Add \$2.99 per **negative** for enlargements.

| Qty per negative▶ | 1-4 | 5-23 | 24-49 | 50-99 | 100+ |
|-------------------|------|------|-------|-------|------|
| 3½x5 | .95 | .79 | .55 | .46 | .36 |
| 4x6 or 4x5..... | .95 | .79 | .55 | .46 | .36 |
| 4x12 Panoramic .. | 3.25 | | | | |

| Qty. per negative▶ | 1-2 | 3-23 | 24-49 | 50-99 |
|--------------------|-------|-------|-------|-------|
| 5x7 | 3.95 | 3.00 | 1.99 | 1.25 |
| 6x9 | 5.50 | 4.30 | 2.75 | 1.75 |
| 8x10 | 7.25 | 5.65 | 3.75 | 2.45 |
| 8x12 | 8.50 | 6.50 | 4.25 | 2.75 |
| 11x14 | 18.00 | 13.75 | 8.50 | 6.25 |
| 11x16 | 21.00 | 14.95 | 9.65 | 6.85 |
| 12x18 or 10x20 .. | 23.50 | 17.20 | 13.00 | 10.55 |

Wallet Photos

Wallets are available in a set of 2 on a 3½x5 sheet, or 8 wallets printed on a 7x10 sheet and die cut with rounded corners. Matte finish is standard on 8-up wallet sheets; glossy is available—add \$1.00 per sheet.

8 wallets die cut.....\$6.75 per sheet

2 wallets, uncut\$1.50 Add \$.15 each for die cutting

For larger print sizes, see:

WIDE FORMAT ENLARGEMENTS, page 2

READ THIS NOTICE: Submitting any film, print, digital media, or images in any form to this firm for processing, printing, or other handling constitutes an AGREEMENT by you that any damage or loss by our company, subsidiary, or agents, even though by our negligence or other fault, will only entitle you to replacement with a like amount of imaging media or unexposed film and processing, if available. The acceptance by us of the film, print, digital media, or images is without other warranty or liability, and recovery for any incidental or consequential damages is excluded. 90-day unclaimed orders will be considered abandoned.

Scan 35mm Color Negatives

Service Time: 3 Lab days (1 week for over 100 negatives)

Negatives are scanned on an industrial high resolution scanner incorporating "Digital ICE" Dust and Scratch removal. Then our qualified technicians optimize the color and exposure of each image. So these image files will produce high quality prints, & can also be imported into your computer for graphic design applications, websites, e-mailing, etc.

Negatives must be submitted in strips of at least 3 inches long, or at least 2 images per strip; add \$.99 each for single 35mm negatives.

Scan a **complete roll** of 35mm cut negatives:

¹ Reprint Quality scans (CD included).....14.99 per roll

² Enlargement Quality scans (CD included)..22.99 per roll

| Add \$4.99 per CD | ¹ Reprint Quality Scans | ² Enlargement Quality Scans | ³ Super Resolution Scans |
|---------------------|------------------------------------|--|-------------------------------------|
| 35mm Negative Scans | | | |
| 1 - 3..... | 1.95 | 2.85 | 9.99 |
| 4 - 9..... | 1.49 | 1.99 | 7.99 |
| 10 - 49..... | .99 | 1.69 | 5.99 |
| 50 - 99..... | .79 | 1.09 | 4.60 |
| 100 - 249..... | .69 | .99 | 3.45 |
| 250 - 499..... | .52 | .79 | 2.80 |
| 500+..... | .45 | .60 | 2.25 |

¹ **Reprint Quality Scan:** Will produce high quality 3½x5, 4x6 and 5x7 prints. Pixel dimensions: 1500 x 1000. One CD holds up to 500 scans.

² **Enlargement Quality Scan:** Will produce high quality enlargements and cropped reprints. Pixel dimensions: 3000 x 2000. One CD holds up to 135 scans.

³ **Super Resolution 35mm Scan:** Will produce Posters & Wide Format Enlargements. Pixel dimensions: 6700 x 4400. One CD holds up to 25 scans.

Mounting Service for Enlargements

Service Time: add 2 days to the time required to print the enlargement. Price includes either 3/16" premium black-core Gatorfoam® or 3/32" Mat Board (11x14 maximum size for Mat Board).

| | | | |
|------------|-------|---------------|-------|
| 5x7 | 8.25 | 11x14 | 14.30 |
| 8x10 | 10.75 | 11x16 * | 17.45 |
| 8x12 | 11.95 | 12x18 * | 19.25 |

* Flat shipping (\$14.00 per order) is required if **ship** is requested.

LIABILITY NOTICE: Photographs, copies, or artwork **not produced by The Camera Shop** are accepted by The Camera Shop for mounting, coating, laminating or related services without warranty or liability of any kind.

Photo Gifts & Novelty Items

Ask for details about these photo items (page 17):

- Photo Button 4.00
- Refrigerator Magnet3.50 - 4.75
- T-Shirt 28.95
- Coffee Mug - photo on 1 side 16.95
- Puzzle - 7½ x 9½ size 22.95
- Computer Mouse Pad 16.95
- Desk Calendar 20.95
- Wall Calendar 29.95



320-251-2622 St. Cloud, MN

All prices, specifications & service times are subject to change without notice.

Print Scanning & Copy Services

Direct Copies and Scans of Prints, Artwork, or Photo Albums

July 10, 2022

“Copy Print” Service

Service Time: 3 Lab Days (5 Lab Days for 100+ scans)

We scan your original photos (no larger than 8½x12") and make whatever print size(s) you request, on Kodak Royal Paper. Matte surface is standard; glossy is available upon request. The scanning fee is in addition to the cost of the prints you order—see *Reprints* and *Enlargements*, below. No CD or Copy Negatives are included with “Copy Print” Service.

Quantity of original

| photographs to copy ▶ | 1-9 | 10-24 | 25+ |
|-----------------------|------|-------|------|
| Scanning price | 4.99 | 3.50 | 2.60 |

Reprints from Scanned Photographs

Service time: 1 Lab Day, plus scanning time.

Printed on Kodak Royal Paper—Matte or Glossy finish.

For B&W prints, we recommend Endura Lustre Paper, which produces richer blacks and a full range of gray tones: see page 1, right-hand column for pricing.

Quantity “reprint-size” prices apply to the total prints of the same size in one order, regardless of how many original photographs are submitted.

| Quantity per order▶ | 1-24 | 25-499 | 500+ |
|---------------------|------|--------|------|
| 4x6, 4x5, 3½x5..... | .50 | .45 | .35 |

Enlargements from Scanned Photos

Service time: 1 Lab Day, plus scanning time.

Printed on Kodak Royal Paper—Matte or Glossy finish.

For B&W prints, we recommend Endura Lustre Paper, which produces richer blacks and a full range of gray tones: page 1.

Quantity enlargement prices are per print from the SAME original photograph.

| Qty per original photo | 1-2 | 3-23 | 24-49 | 50-99 |
|------------------------|-------|-------|-------|-------|
| 5x7 | 2.99 | 2.50 | 1.75 | 1.10 |
| 8x10..... | 6.25 | 4.95 | 3.45 | 2.30 |
| 8x12..... | 7.50 | 5.85 | 4.00 | 2.85 |
| 11x14..... | 16.00 | 13.30 | 7.75 | 5.99 |
| 11x16..... | 19.00 | 14.55 | 9.00 | 6.55 |
| 12x12 Album Pg... | 9.99 | 9.99 | 7.75 | 5.99 |
| 12x18..... | 21.50 | 15.85 | 12.75 | 10.35 |

8 wallets die cut (round corners) \$6.25 per sheet

2 wallets, uncut..... 1.50 Add \$.15 each for die cutting

For 16x16" to 40x96" prints, see **WIDE FORMAT ENLARGEMENTS**, page 2.

Copy Negatives - B&W or Color

Service Time: 5 Lab Days (plus required printing time)

35mm B&W or color Copy Negative from original prints between 3x4" and 11x16" 29.95

NOTE: We recommend our professional *Print Scanning* and *Digital Printing* services as a high quality option that is less expensive than traditional *Copy Negative* service. Original prints smaller than 3x4" must be scanned—no Copy Negative service available.

COPYRIGHT NOTICE: It is illegal to copy photographs which are copyrighted by a professional photographer or studio. We do not copy or scan any such photographs without prior written permission of the copyright owner.

Scan Prints

Using calibrated high-resolution scanners, we optimize each image as we scan, and then apply minor color and exposure corrections as needed. The resulting image files will produce high quality prints, and can also be imported into your computer for graphic design applications, websites, e-mailing, etc. If you request a CD of the scanned photographs, the images are saved as highest quality JPEG files in RGB Color Mode unless otherwise noted. The scan charges are in addition to the cost of any *Reprints* or *Enlargements* (see left column). See page 6 for scanning large quantities of photos.

If you don't specify a preference, we provide “Scan Print-Reprint Quality” service.

Add \$4.99 Setup & CD Recording charge per CD requested. Many image files can be recorded onto one CD. **USB Drive rather than CD, add ... \$9.95**

Scan Print - Reprint Quality

Service time: 3 days.

Available from originals up to 8½x12". Scanned image is ≈ 1500 x 1000 pixels and will produce high quality 3½x5, 4x6 & 5x7" prints.

| Quantity of originals▶ | 1-9 | 10-24 | 25-99 | 100+ |
|-----------------------------|------|-------|-------|------------|
| Add \$4.99 for the CD | 4.99 | 3.50 | 2.60 | See Page 6 |

Scan Print - Enlargement Quality

Service time: 3 days.

Available from originals up to 8½x12". Scanned image is ≈ 3000 x 2000 pixels and will produce high quality prints up to 16x20".

| Quantity of originals ▶ | 1-9 | 10-24 | 25+ |
|-------------------------|------|-------|------|
| Add \$4.99 for the CD | 6.99 | 5.25 | 4.50 |

Scan Print - 9x12" to 12x17" Original 16.95

Service time: 3 days. Add \$4.99 for the CD

Available from originals between 8½x12 and 12x17".

Scanned image is ≈ 6000 x 4000 pixels and will produce high quality prints up to 16x20".

Scan Large Original Print 12x18" to 16x24"

Service time: 4 days. Add \$4.99 for the CD

Scanned image is ≈ 8000 x 6000 pixels and will produce high quality prints up to 30x40". Images can be saved as JPEG (default) or TIFF files if requested.

| Quantity of originals ▶ | First Scan | Additional Scans |
|-------------------------|------------|------------------|
| Add \$4.99 for the CD | 49.95 | 44.95 |

Scan Print - Custom89.95 and up

Service time: 1 week. Add \$4.99 for the CD

Very large scan for critically sharp reproduction and/or for originals larger than 16x24". Scanned image is ≈ 8000 x 6000 pixels (≈ 130 MB when opened in Photoshop). Images can be saved as JPEG (default) or TIFF files if requested.

Scan Photo Album Pages (12x12")

Service time: 1 week. Add \$4.99 for the CD

| Quantity of album pages ▶ | 1-9 | 10-24 | 25+ |
|---------------------------|------|-------|------|
| Add \$4.99 for the CD | 8.99 | 6.99 | 5.99 |

READ THIS NOTICE: By submitting photos or images of any kind to our company, you agree that the value of the photos or images does not exceed the cost of scanning the same quantity of photos or images. Thus, you agree that any claim for loss or damage to your photos or images is limited to our cost for scanning them. Our acceptance of your photos or images is without other warranty or liability, and recovery for any incidental or consequential damages is excluded. 90-day unclaimed orders will be considered abandoned.



320-251-2622 St. Cloud, MN

All prices, specifications & service times are subject to change without notice.

“Shoebox” Photo Archive Scanning

Scanning and Reproducing Large Quantities of Photographs

July 10, 2022

Shoebox Photo Archive Scanning

Service Time: 5 - 7 Lab Days

Perhaps you have a shoebox full of precious photographs in your closet. For a very economical price we can scan those photographs to a CD so you can preserve those memories, make backup copies or reprints, and distribute them to your relatives.

Two options for *Shoebox Photo Archive* scans:

(1) Standard Resolution (300 ppi) scans are ideal for printing up to two times the size of your original photographs, or for emailing and internet posting.

(2) High Resolution (600 ppi) scans will produce high quality photos four times as large as your original photographs. Images from both kinds of scans are saved as high-quality JPEG files.

To avoid extra processing fees and to assure quick service, please follow these guidelines for *Shoebox Photo Archive* scanning:

All photos must be removed from albums and frames and put into a box. Sort the photos by size from smallest to largest. Minimum size: 2½x3½; Max:8½x11. Make sure all of the photos are facing forward and oriented so the top of each image is in the same direction. If you want the image files from both horizontal and vertical photos to be right-side-up on your CD, you must sort vertical photos into separate groups from the horizontal photos. If they are mixed together, you may request that we rotate the vertical images to appear face-up on your CD— this “rotating” service adds \$19.95 per group of up to 500 images.

If there is information written on the back of your original photographs that you want scanned, we can scan both sides of those pictures. These will count as two scans. Group the photos for double-sided scans separately and clearly mark the group: “**Scan Front & Back.**”

Photographs for *Shoebox Photo Archive* scanning can be scanned in a specific sequence for an additional \$34.95 per group of 500. To order this service, number the sequence on the back of each photo (no sticky notes) and **submit the photos in that sequence**, rather than sorting your photos by size. This \$34.95 fee also includes our service of rotating all images to the correct orientation (horizontal or vertical).

Photos that are fragile, folded, ripped, mounted or in albums, sticky or having rough edges or staples cannot be scanned with our *Shoebox Photo Archive* service. To scan such photographs, refer to page 5 for our custom print scanning services (scanning prints up to 8x10" size costs between \$2.60 and 6.99 per scan).

To scan slides or negatives, see page 7.

| Shoebox Photo Scans | 300 ppi | 600 ppi | |
|--|------------------------------|--------------------------|------|
| | Standard Resolution Scanning | High Resolution Scanning | |
| No Refunds Available | | | |
| Up to 100 Photos | 79.95 | 119.95 | |
| Up to 500 Photos | 189.95 | 249.95 | |
| Additional group of 100 | 45.00 | 65.00 | |
| The cost of one set of CD(s) are included in above prices. | | | |
| Images written to USB driver rather than CD ... | | | 9.95 |

Additional Options

Rotating images, add 24.95 per group up to 500
Organize images into folders, per folder..... 1.00

Photos scanned in the specific sequence that you specify (includes rotating your images), add 34.95 per group of 500
Duplicate CDs of photos 7.99 per CD
Duplicate JPEG DVDs of photos 14.99 per DVD

Note: multiple CDs or DVDs may be required for your order.
When scanning 4x6 photos:
330 Standard-Resolution scans fit onto 1 CD, or
90 High-Resolution scans fit onto 1 CD.
2250 Standard-Resolution scans fit onto 1 JPEG DVD, or
600 High-Resolution scans fit onto 1 JPEG DVD.

Index Prints and Proof Sheets

Index Prints and Proof Sheets are a handy tool for locating and retrieving images from your library of CDs. They are priced **by the sheet** with 25 or 40 images per sheet.

4x6 Index Print with 40 images per sheet.... 1.99
5x7 Proof Sheet with 25 large images per sheet..... 2.49
8x10 Proof Sheet with 40 large images per sheet..... 5.98

DVD Slideshow

We can also produce a professional “slide show” of your photographs (and slides) that will play on your TV with a standard DVD player. See page 8 for scanning prices and complete details.

READ THIS NOTICE: By submitting photos or images of any kind to our company, you agree that the value of the photos or images does not exceed the cost of scanning the same quantity of photos or images. Thus, you agree that any claim for loss or damage to your photos or images is limited to our cost for scanning them. Our acceptance of your photos or images is without other warranty or liability, and recovery for any incidental or consequential damages is excluded. 90-day unclaimed orders will be considered abandoned.



320-251-2622 St. Cloud, MN

All prices, specifications & service times are subject to change without notice.

Scanning Services - Negatives, Slides, Transparencies

Scanning Prices Include Both Color and Black & White Negatives

July 10, 2022

Scan 35mm Negatives and 35mm, 110, 126, 127 Slides

Service Time: 5 Lab Days (7 Lab Days for 250+ scans)

Negatives are scanned on an industrial film scanner incorporating "Digital ICE" Dust and Scratch removal.

Slides are cleaned with compressed air & scanned at high resolution. While scanning, our qualified technicians optimize the color and exposure of each image. So these image files will produce high quality prints, and can also be imported into your computer for graphic design applications, e-mailing, websites, etc. Scans are saved as high quality JPEG files unless otherwise noted.

NEGATIVES must be submitted in strips of at least 3 inches long, or at least 2 images per strip. Add \$.99 each for any 35mm negatives that do not meet these criteria.

Scan a **complete roll** of 35mm cut negatives to CD: (Each roll may contain no more than 38 negatives.)

- ¹ Reprint Quality scans (CD included)..... 14.99 per roll
- ² Enlargement Quality scans (CD included). 22.99 per roll

| Add \$4.99 per CD | ¹ Reprint Quality Scans | ² Enlargement Quality Scans | ³ Super Resolution Scans |
|----------------------------|------------------------------------|--|-------------------------------------|
| 35mm Negative Scans | | | |
| 1 - 3 | 1.95 | 2.85 | 9.99 |
| 4 - 9 | 1.49 | 1.99 | 7.99 |
| 10 - 49 | .99 | 1.69 | 5.99 |
| 50 - 99 | .79 | 1.09 | 4.60 |
| 100 - 249 | .69 | .99 | 3.45 |
| 250 - 499 | .52 | .79 | 2.80 |
| 500+ | .45 | .60 | 2.25 |

SLIDES must be submitted in groups of up to 100, either in boxes or rubber-banded together, or in Kodak Carousel® slide trays that can hold up to 80 slides. If you request slides to be kept in sequence, number each slide sequentially before submitting the order. Glass mounted slides and slides in metal slide clips, add 39¢ per slide.

126-size slides are scanned in their square format—add 10¢ per slide to the prices below. **110** slides in 2x2" mounts—add 50¢ per slide. **127** "Super Slides"—add 35¢ per slide.

Stereo 35mm slides—add 60¢ per slide.

| Add \$4.99 per CD | ¹ Reprint Quality Scans | ² Enlargement Quality Scans | ³ Super Resolution Scans |
|-------------------------|------------------------------------|--|-------------------------------------|
| 35mm Slide Scans | | | |
| 1 - 3 | 2.50 | 3.40 | 9.99 |
| 4 - 9 | 2.20 | 2.50 | 7.99 |
| 10 - 49 | 1.59 | 1.99 | 5.99 |
| 50 - 99 | 1.25 | 1.45 | 4.49 |
| 100 - 249 | .99 | 1.09 | 3.49 |
| 250 - 499 | .80 | .89 | 2.99 |
| 500+ | .68 | .78 | 2.49 |

¹ **Reprint Quality Scan:** Will produce high quality 3½x5, 4x6 and 5x7 prints. Pixel dimensions: 1500 x 1000. One CD holds up to 500 scans.

² **Enlargement Quality Scan:** Will produce high quality enlargements and cropped reprints. Pixel dimensions: 3000 x 2000. One CD holds up to 135 scans.

³ **Super Resolution 35mm Scan:** Will produce Posters & Wide Format Enlargements. Pixel dimensions: 6700 x 4400. One CD holds up to 25 scans.

Scan 120, 620, 127, 70mm, 116, 616 Negatives or Transparencies

Service Time: 4 Lab Days (10 Lab Days for 100+ scans)

120 formats we are setup to scan: 6x4.5; 6x6; 6x7; 6x9cm. Saved as highest quality JPEG files (Level 12 JPEG compression). TIFF format files are available for an additional \$5.00 setup charge per order.

For 127-size negatives, add \$0.35 per negative.

For 70mm, 116 or 616 negatives, we must trim 3/16" off both narrow edges of the negative (\$0.30 per neg.) The trimmed negative (2 3/8" wide) will fit into our 120 carrier for scanning, and approximately 80% of the central image area will be scanned (details on page 27.) If important subject matter of your 70mm, 116 or 616-size negative is close to any edge of the negative, you may prefer to order *Oversize Negative Scans* (below) to avoid any image cropping of the negative.

| Add \$4.99 per CD | ⁴ Standard Resolution Scans | ⁵ Super Resolution Scans |
|-----------------------|--|-------------------------------------|
| 120-size Scans | | |
| 1 - 9 | 4.50 | 10.95 |
| 10 - 24 | 3.50 | 6.99 |
| 25 - 99 | 3.25 | 5.75 |
| 100+ | 2.50 | 3.99 |

⁴ **Standard Resolution** pixel dimensions of 120 formats: 6x4.5—2000 x 1500; 6x6—2000 x 2000; 6x7—2460 x 2000; 6x9—3000 x 2000

⁵ **Super Resolution** pixel dimensions of 120 formats: 6x4.5—4800 x 3500; 6x6—4800 x 4800; 6x7—5900 x 4800; 6x9—7200 x 4800

Scan Oversize Negatives or Transparencies

Service Time: 6 Lab Days (10 Lab Days for 25+ scans)

We scan 70mm, 4x5", 5x7", 8x10" sheet film, glass, and non-standard size negatives & transparencies (maximum size: 8.5x11"). Standard Resolution Scans are ≈ 3000 x 2400 pixels, saved as JPEG files, and will produce high quality prints up to 11x14". Super Resolution Scans are ideal for jobs requiring critically sharp images for reproduction; scanned images are ≈ 8000 x 6400 pixels, saved as both JPEG and Photoshop files, and produce prints up to 44x66".

| Add \$4.99 per CD | Standard Resolution Scans | Super Resolution Scans |
|----------------------------|---------------------------|------------------------|
| Oversize Film Scans | | |
| 1 - 9 | 11.95 | 19.95 |
| 10 - 24 | 9.95 | 17.95 |
| 25 - 99 | 8.95 | 15.95 |
| 100 + | 7.95 | 14.95 |

DVDs versus CDs and USB Drives

DVDs hold 6½ times more data than CDs. When appropriate, we record your scans to a DVD (\$14.95) rather than a CD to save you the cost of multiple CDs. USB Drives hold much more data than both.

READ THIS NOTICE: Submitting any film, print, digital media, or images in any form to this firm for processing, printing, or other handling constitutes an AGREEMENT by you that any damage or loss by our company, subsidiary, or agents, even though by our negligence or other fault, will only entitle you to replacement with a like amount of imaging media or unexposed film and processing, if available. The acceptance by us of the film, print, digital media, or images is without other warranty or liability, and recovery for any incidental or consequential damages is excluded. 90-day unclaimed orders will be considered abandoned.



320-251-2622 St. Cloud, MN

All prices, specifications & service times are subject to change without notice.

DVD Slideshows

July 10, 2022

DVD Slideshow from Prints, Slides, Negatives and Digital Files

A professionally produced "slide show" of photographs playable on your computer or DVD player

Service Time: 12 Lab Days—January thru October
 15 Lab Days—November & December
 RUSH Service: \$20 to \$50, depending on the size of the job and our workload. Please call for a quote.

As we scan your slides and negatives, our qualified technicians adjust the color of each image and correct the exposure as needed. Your images are combined into a seamless slideshow with each image fading into the next one. Each image is on screen for 5 to 7 seconds, but you may specify a different duration. At your request we can add a music background from our library of royalty-free music or music that you supply on CD.

MAIN TITLES:

Please specify these two titles which are included in your DVD Slideshow at no additional charge:

- (1) The **Cover Title** you want printed on the front of the DVD.
 - (2) The **Main Menu Title** you want to appear **on screen** when you insert the DVD into your player.
- These do not have to be the same title. On-screen title(s) should not exceed 16 characters in length.

If you want your images in a specific sequence, please include clear instructions. Number your prints on the back and slides on their mounts to help us maintain your desired sequence of images. We cannot guarantee proper sequencing without such numbering.

No refunds allowed on this service. If we make any errors in production, return the order within 21 days and we will cheerfully remake the DVD with the corrections requested. Any additions or corrections that were not specified on the original order will incur additional charges.

Minimum charge **105.00**
 (This only applies if the combined scanning, music and Original DVD recording charges are less than \$105.00)

Total price is calculated by adding these charges:

Scanning your images See Next Column
 Rotating images to proper TV orientation No Charge
 Main Title for the slideshow No Charge
 Additional on-screen titles during play, each 4.00
 Our background music, if requested 20.00
 Your background music See Next Column ▶
 Original DVD Recording charge, per DVD* 58.00*
 Additional DVD Slideshow copies..... 19.95 per DVD
 Blu-Ray option, Recording charge, per DVD* 75.00*
 Blu-Ray Slideshow copies 45.00 per Blu-Ray

Scanned images can also be recorded in JPEG format, for email, archiving, and printing. This "Jpeg DVD" is available in addition to the DVD Slideshow.

JPEG DVD of your scanned images 24.95

* 800 images can be recorded onto one DVD slideshow. Each additional set of up to 800 images require another Original DVD Recording Charge of 58.00.

Scanning Your Images for Your DVD Slideshow:

You may submit a combination of prints, slides, negatives and digital files. Quantity prices apply to the total number of images scanned of one format—see columns below. Each time we switch from one format to another there is a **format change fee—\$2.95**. For example, each change from 35mm slides to 126-size slides, or vice versa, incurs this fee, as would changing from prints to slides, and back again. **Copyrighted images** require a signed release from the copyright owner.

| Quantity of Images to DVD | 35mm | | Digital Files |
|---------------------------|---------------------|--|---------------|
| | Prints ¹ | or 126 Slides ² / Negatives | |
| Less than 50 | 1.09 | 1.59 | .58 |
| 50 - 99 | .86 | 1.25 | .52 |
| 100 - 249 | .75 | .99 | .46 |
| 250 - 499 | .58 | .80 | .35 |
| 500 - 999 | .35 | .68 | .28 |
| 1000 - 2499 | .33 | .56 | .23 |
| 2500 - 4999 | .31 | .50 | .22 |
| 5000 + | .30 | .45 | .21 |

¹ Unmounted prints, 2½x3½" minimum size, 8x10" maximum size, scanned in the sequence you request.

² **Slides** must be submitted in groups of up to 100, either in boxes or rubber-banded together, or in Kodak Carousel @ slide trays that can hold up to 80 slides. If you request slides to be kept in sequence, number each slide sequentially before submitting the order. Glass mounted slides and slides in metal slide clips, add 39¢ per slide.

For non-standard size Slides, add the surcharge below to the Slide scanning prices in the table above

127 Super Slides in 2x2" mounts—add 35¢ per scan.
 35mm Stereo Slides—add 60¢ per scan.
 110 Slides—add 50¢ per scan.

Scanning Odd-Size Film for DVD Slide Shows:

120-size negatives or transparencies (6x4.5 cm, 6x6 cm, 6x7 cm, or 6x9 cm) —\$2.60 per scan.

BACKGROUND MUSIC THAT YOU SUPPLY:

We can add music to your DVD Slideshow from CDs that you supply. There is a setup charge of \$20.00 per order, and an additional charge of \$7.50 per song. Your images can be on screen for a set amount of time (usually 5 to 7 seconds), or we can space them to fit the songs you supply.

If you want your songs synchronized to fit a group of photos, an additional charge of \$15.00 per song is required for video editing. Please include detailed instructions describing the song sequence, and which photos are to be synchronized to the selected songs.

READ THIS NOTICE: Submitting any film, print, digital media, or images in any form to this firm for processing, printing, or other handling constitutes an AGREEMENT by you that any damage or loss by our company, subsidiary, or agents, even though by our negligence or other fault, will only entitle you to replacement with a like amount of imaging media or unexposed film and processing, if available. The acceptance by us of the film, print, digital media, or images is without other warranty or liability, and recovery for any incidental or consequential damages is excluded. 90-day unclaimed orders will be considered abandoned.

All prices, specifications & service times are subject to change without notice.

Slide Processing, Duplicating & Copy Services

July 10, 2022

Slide Processing: E-6 Process Ektachrome and Fujichrome

Service Time: Processed on Tuesdays & Thursdays.
RUSH service: \$20.00 regardless of number of rolls.

Develop Only service (unmounted) is our default service. Mounted in plastic mounts: Add \$0.20 per slide (\$7.20 per 36 exposures). Mounted slides are numbered sequentially.

Add your slides to a CD for easy ordering of prints and enlargements, or to import images into your computer ►

Minimum Charge: \$8.50 if an E-6 roll turns out "blank".

| | |
|---|----------|
| 24 exposure 35mm E-6 Process Only | 13.99 |
| 36 exposure 35mm E-6 Process Only | 16.99 |
| Mounting in plastic mounts, per slide..... | 20 ea. |
| 120 E-6 (packaged uncut in plastic sleeve) | 16.99 |
| Push or Pull, up to 1 f/stop (1-week service) add | 3.50 |
| Push or Pull, more than 1 f/stop (1-week).... | add 4.95 |
| Infrared EIR slide processing (2 weeks) | 32.00 |

"Cross Processing" E-6 film in C-41 chemistry, add \$2.95.

Prints from E-6 Slides—Full Roll Printing

Service Time: 2 Lab Days (plus developing time — above)

| | |
|---|---------------|
| 4x6 or 3½x5 prints with slide roll processing | |
| Matte or Glossy Kodak Royal Paper | .79 per print |
| Lustre Endura Professional Paper..... | .89 per print |

Kodachrome Slide Processing

Kodachrome color slide processing is no longer available. We offer Black & White negative processing of Kodachrome 35mm film. We scan the negatives, apply exposure and contrast adjustments as necessary, then create a CD of the images and a set of 4x6 Lustre prints.

See page 16, right-hand column, for pricing.

Duplicate Slides (35mm Size)

Service Time: 7 Lab Days. Rush: \$20.00 (1-39 dupes)

We produce 35mm duplicate slides (dupes) from 35mm Ektachrome, Kodachrome, Fujichrome or Agfachrome slides.

Minimum Order 26.00

35mm Full-Frame Price Per Dupe.....3.25 each

Custom Dupes (color/exposure corrected, or 35mm dupes from 120 transparencies).....6.00 each

Slide Mounting and Re-Mounting

| | |
|---|------------------------|
| Service Time: 4 Lab Days | New mounts are plastic |
| Mount 35mm slides received in uncut roll..... | 35 each |
| Remount old 35mm slides | 70 each |

READ THIS NOTICE: Submitting any film, print, digital media, or images in any form to this firm for processing, printing, or other handling constitutes an AGREEMENT by you that any damage or loss by our company, subsidiary, or agents, even though by our negligence or other fault, will only entitle you to replacement with a like amount of imaging media or unexposed film and processing, if available. The acceptance by us of the film, print, digital media, or images is without other warranty or liability, and recovery for any incidental or consequential damages is excluded. 90-day unclaimed orders will be considered abandoned.

Scan 35mm Slide Rolls

Service Time: 2 Lab Days (plus developing time—left column)

Scans are an excellent medium for archiving your slide images and for ordering prints and enlargements. We combine multiple rolls of film onto one CD; however the price is per ROLL of film. Scans are saved as highest quality JPEG files (Level 12 JPEG compression). TIFF format files are available for an additional \$5.00 setup charge per order (any number of rolls).

A CD Index Print of each roll is included at no charge.

| | | | |
|---|------------------------------------|--|-------------------------------------|
| | ¹ Reprint Quality Scans | ² Enlargement Quality Scans | ³ Super Resolution Scans |
| Scanning Price per Roll at time of processing..... | 8.99..... | 13.99 | 24.99 |
| Plus E-6 Processing fee (left column) | | | |

¹ **Reprint quality CD:** Will produce high quality 3½x5, 4x6 and 5x7 prints. Pixel dimensions: 1500 x 1000

² **Enlargement Quality CD:** Will produce high quality enlargements and cropped reprints. Pixel dimensions: 3000 x 2000

³ **Super Resolution 35mm Scan:** Will produce Posters & Wide Format Enlargements. Pixel dimensions: 6700 x 4400.

Scan 120 Transparency Rolls

Service Time: 2 Lab Days plus developing time—left column

| | | |
|---|--|-------------------------------|
| | ⁴ Enlargement Quality Scans | ⁵ Super Resolution |
| Scanning Price per Roll at time of processing..... | 13.99 | 21.99 |
| Plus E-6 Processing fee (left column) | | |

⁴ **Enlargement Quality** pixel dimensions:

6x4.5—2000 x 1500; 6x6—2000 x 2000; 6x7—2460 x 2000; 6x9—2000 x 3000

⁵ **Super Resolution** pixel dimensions:

6x4.5—3500 x 4800; 6x6—4800 x 4800; 6x7—4800 x 5900; 6x9—4800 x 7200

Slides from Digital Files

Service Time: 7 lab days

| Digital Files Submitted | First Slide | Digital Dupe |
|-------------------------|-------------|--------------|
| 1 - 3 | 11.95 | 5.00 |
| 4 - 14 | 8.50 | 4.50 |
| 15 - 24 | 7.75 | 4.25 |
| 25 or more | 6.40 | 3.99 |

To order **Slides from Negatives**, combine the price of **35mm Negative Scanning** (page 4) and **Slides from Digital Files**.

Slides from Prints

A. ECONOMY SLIDES FROM PRINTS: 7 Lab Days.

Economy slides are available from prints 3½x5 through 8x10 size, color or B&W. Square prints are cropped to a 35mm format (2:3 ratio). Images from books or magazines must be produced as *Custom Slides* (below).

For RUSH service add \$25.00.

| | | | |
|--------------------------------|------------|-----------|------|
| Economy Slides | 1-3 | 4-14 | 15+ |
| Quantity per Order..... | 10.95..... | 7.50..... | 6.25 |

B. CUSTOM SLIDES FROM PRINTS: 7 Lab Days.

For RUSH service add \$25.00.

From any print or original up to 11x16":

| | |
|------------------------|-------|
| Each Custom Slide..... | 14.95 |
|------------------------|-------|



320-251-2622 St. Cloud, MN

All prices, specifications & service times are subject to change without notice.

Slides & Transparencies—Printing & Scanning

From 35mm Slides and 120 Transparencies, printed on KODAK ROYAL PAPER

July 10, 2022

Prints from 35mm & 126-Size Slides

Service Time: 4 Lab Days. RUSH—add \$10.00.

Slides are cleaned with compressed air, then scanned at high resolution. Our qualified technicians optimize the color and exposure of each image while printing on Kodak Royal Paper.

126 (square) slides are cropped to best fit standard rectangular print sizes. If you prefer uncropped (square) prints, submit 126 slides in a separate order, and specify the print size in your instructions: 4x4, 5x5, 8x8, 11x11.

Quantity prices apply to the total prints of the same size in one order, rather than how many prints are ordered from each slide or transparency.

Matte finish is standard; Glossy available on request.

Lustre Endura Pro paper: adds 10% to prices below

CROPPING: Add \$.99 per **slide** for 3½x5 or 4x6 prints.

Add \$2.99 per **slide** for enlargements.

To **develop & print** an entire roll of slide film, see *Prints from Slides—Full Roll Printing*, page 9.

| Prints per order ▶ | 1-3 | 4-9 | 10-49 | 50+ |
|--------------------|-------|-------|-------|-------|
| 3½x5, 4x6, 4x4 | 2.30 | 1.95 | 1.69 | 1.49 |
| 5x7, 5x5 | 5.75 | 4.60 | 3.40 | 2.49 |
| 6x9 | 6.90 | 5.99 | 5.00 | 3.59 |
| 8x10, 8x8 | 8.99 | 7.99 | 6.79 | 4.75 |
| 8x12 | 9.99 | 8.99 | 7.99 | 5.99 |
| 11x14, 11x11 | 20.00 | 15.99 | 12.99 | 11.49 |
| 11x16 | 23.00 | 17.50 | 13.99 | 11.99 |
| 12x18 | 26.00 | 21.00 | 17.99 | 16.49 |

For larger prints see **WIDE FORMAT**

ENLARGEMENTS, page 2.

Prints from 120 Transparencies and Prints from Odd-Size Slides

Service Time: 5 Lab Days. RUSH—add \$10.00.

Matte or Glossy pricing. Lustre paper price: add 10%.

120 Formats: 6x4.5; 6x6; 6x7; 6x9

Odd-sizes: 110, 135 half-frame, 135 stereo, 127 super slides

CROPPING: Add \$.99 per **transparency** for 3½x5 to 4x6

Add \$2.99 per **transparency** for enlargements

| Prints per order ▶ | 1-3 | 4-9 | 10-49 | 50+ |
|---------------------|-------|-------|-------|-------|
| 4x6, 3½x5, 4x5, 4x4 | 4.50 | 4.00 | 3.15 | 2.25 |
| 5x5, 5x7 | 8.95 | 5.70 | 5.20 | 3.99 |
| 8x10 | 12.50 | 9.95 | 8.99 | 7.99 |
| 11x14 | 23.00 | 19.95 | 18.25 | 14.79 |
| 12x18 | 37.00 | 31.95 | 22.95 | 19.99 |

Prints from 4x5 Transparencies

| Prints per order ▶ | 1-3 | 4-9 | 10-49 | 50+ |
|--------------------|-------|-------|-------|-------|
| 3½x5, 4x5, 4x6 | 10.95 | 9.50 | 7.99 | 6.99 |
| 5x5, 5x7 | 13.50 | 11.00 | 9.99 | 7.99 |
| 8x10 | 19.50 | 15.99 | 14.95 | 11.50 |
| 11x14 | 29.90 | 26.00 | 24.00 | 20.75 |

Definitions of Photographic Terms:

A Transparency: The opposite of a negative. A positive image on a transparent film base. "Chrome" is part of the film's name (e.g. Ektachrome; Fujichrome).

A Slide: A transparency mounted in a plastic or cardboard slide mount. Typically, a slide refers to a 35mm transparency mounted in a 2x2-inch slide mount, thus making it easy to handle or to insert into a carousel tray for projection viewing.

Reversal Film: Film designed to be developed as slides or transparencies. The latent negative image is "reversed" during processing to produce a positive image.

A Scan: A digital image produced from a transparency, slide, negative or print.

Scan 35mm, 110, 126, 127 Slides

Service Time: 5 Lab Days (7 Lab Days for 250+ slides)

SLIDES must be submitted in groups of up to 100, either in boxes or rubber-banded together, or in Kodak Carousel® slide trays that can hold up to 80 slides. If you request slides to be kept in sequence, number each slide sequentially before submitting the order. Glass mounted slides and slides in metal slide clips, add 39¢ per slide.

126-size slides are scanned in their square format—add 10¢ per slide to the prices below. **110** slides in 2x2" mounts—add 50¢ per slide. **127 "Super Slides"**—add 35¢ per slide.

Stereo 35mm slides—add 60¢ per slide. **Rotate images** vertical/horizontal on CD: add 5¢ per slide.

| Add \$4.99 per CD | ¹ Reprint Quality Scans | ² Enlargement Quality Scans | ³ Super Resolution Scans |
|-------------------|------------------------------------|--|-------------------------------------|
| 35mm Slide Scans | | | |
| 1 - 3 | 2.50 | 3.40 | 9.99 |
| 4 - 9 | 2.20 | 2.50 | 7.99 |
| 10 - 49 | 1.59 | 1.99 | 5.99 |
| 50 - 99 | 1.25 | 1.45 | 4.49 |
| 100 - 249 | .99 | 1.09 | 3.49 |
| 250 - 499 | .80 | .89 | 2.99 |
| 500+ | .68 | .78 | 2.49 |

¹ **Reprint Quality Scan:** Will produce high quality 3½x5, 4x6 and 5x7 prints. Pixel dimensions: 1500 x 1000. One CD holds up to 500 scans.

² **Enlargement Quality Scan:** Will produce high quality enlargements and cropped reprints. Pixel dimensions: 3000 x 2000. One CD holds up to 135 scans.

³ **Super Resolution 35mm Scan:** Will produce Posters & Wide Format Enlargements. Pixel dimensions: 6700 x 4400. One CD holds up to 25 scans.

Prints from "Amusement Park" Miniature Slide

Service Time: 5 Lab Days. RUSH Service, add \$10.00.

Scan miniature slide to CD 12.95

Then order Digital Prints (see page 1 for prices)

READ THIS NOTICE: Submitting any film, print, digital media, or images in any form to this firm for processing, printing, or other handling constitutes an AGREEMENT by you that any damage or loss by our company, subsidiary, or agents, even though by our negligence or other fault, will only entitle you to replacement with a like amount of imaging media or unexposed film and processing, if available. The acceptance by us of the film, print, digital media, or images is without other warranty or liability, and recovery for any incidental or consequential damages is excluded. 90-day unclaimed orders will be considered abandoned.



320-251-2622 St. Cloud, MN

All prices, specifications & service times are subject to change without notice.

Price Page 10 TCS-DLR 07-10-22

Each DVD holds up to 2 hours of movies

2 hours of Regular 8mm ≈ 1700 feet
2 hours of Super 8 ≈ 1700 feet
2 hours of 16mm ≈ 3500 feet

Movie Transfer Service

Regular 8mm, Super 8mm, and 16mm Projection Films

July 10, 2022

Transfer Old Movies to DVD

Super 8, 8mm, and 16mm movies

Normal Service Time: 2 to 3 Weeks - January through October
4 Weeks - November & December

Each frame of your movie is digitally scanned to capture the best clarity and detail. We transfer movies to either standard DVD-Video or high definition Blu-Ray discs.

DVDs: You receive a DVD-Video disc that is playable in a DVD player connected to your TV, or for viewing on many computers. One title and one subtitle are included in the standard transfer service. The titles appear at the top of the on-screen menu page when viewing the DVD, as well as on the cover of the DVD case. The titles are also printed on the DVD surface. DVD chapters are created at random scene breaks, with thumbnail images in the navigation menu and corresponding thumbnails printed on the Deluxe DVD case.

Blu-Ray: Your movies are recorded in high definition for the best viewing quality. To take advantage of the Blu-Ray option, you'll need an HDTV or HD monitor as well as a Blu-Ray player. These systems will also play standard DVDs, but a regular DVD player will *not* play a Blu-Ray disc. Blu-Ray discs include a case with your title and subtitle, and space on the disc to write notes on the content of the movies. Each movie reel you submit will be marked as one chapter in the Blu-Ray navigation menu.

Editable Video Files: Rather than a playable DVD, you may request editable files on DVD to edit in your own production software. Specify MOV, MPG or AVI format files. Add 4 cents per foot to the movie transfer prices in category B below.

Total price is calculated by adding these charges:

- A. Setup Charge(s)
- + B. Movie Transfer fee (based on # of feet submitted)
- + C & D. DVD Master Recording, plus any Duplicate DVD or Blu-Ray Copies ordered
- _____ Optional Services _____
- + E. Custom Chapters or On-Screen Titles
- + F. Background Music
- + G. Editing

Minimum charge is \$63.95 (100 feet).

A. SETUP CHARGES

8mm and Super 8
 Start the transfer service6.00
 Each time the format changes6.00
 16mm movie transfer22.00

B. MOVIE TRANSFER

Up to 250 feet.....28 cents per foot
 251 to 1000 feet25 cents per foot
 1001 to 2000 feet23 cents per foot
 2001 or more feet20 cents per foot

SOUND movies: add \$.18 per foot to the chart above

C. DVD RECORDING (includes Deluxe DVD case)

Master (original) DVD29.95 per 2-hour segment
 1-4 DVD copies (2 hours maximum)22.95 each
 5-9 DVD copies19.95 each
 Reorder Setup Charge (Order more copies later)....7.50
 Create the Master video on 16GB USB Drive.....29.95

D. BLU-RAY RECORDING for Big Screen & HDTV

Master (original) Blu-Ray Disc69.95 per 2-hour segment
 Blu-Ray Duplicate Copies (2 hours maximum).....49.95 each

Optional Services for Movie Transfer:

E. CUSTOM CHAPTERS AND ON-SCREEN TITLES

Our standard movie transfer service automatically creates chapters at random scene breaks for DVD navigation. If you prefer to specify which reel(s) are in each chapter, order our Custom Chapter Setup. On-screen titles are included with this service or they can be added without chapter breaks.

First Custom Chapter or On-Screen Title.....5.95
 Additional Custom Chapters or Titles.....4.95

F. BACKGROUND MUSIC

\$20.00 for up to one hour of our "Easy Listening" music.
 \$10.00 for each additional half hour, or portion thereof.

G. EDITING—We charge \$48.00 per hour, billed in five minute increments, for custom editing requested. We bill our actual production time, not "running" time. To remove or rearrange video segments, detailed instructions are required. Rotating movie orientation can degrade video picture quality.

Movie Transfer Order Form

Name: _____

Phone # (____) _____ Cell # (____) _____

Email: _____

Contact me if the total price will exceed \$ _____.

Total Quantity of DVD sets needed: _____


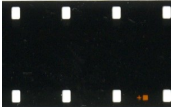
Needed for an event on: ___/___/___ or No deadline


Movie Title: _____

Movie Subtitle (Optional): _____

I am including an additional note for Custom Chapters and On-screen Titles (for an extra fee)

Movie Format(s) Submitted:

Regular 8mm  16mm 

Super 8 

Total # of movie reels: _____ Approx. movie footage: _____

- Add background Music
- Movie reels are numbered in a specific sequence

READ THIS NOTICE: Submitting any film, print, digital media, or images in any form to this firm for processing, printing, or other handling constitutes an AGREEMENT by you that any damage or loss by our company, subsidiary, or agents, even though by our negligence or other fault, will only entitle you to replacement with a like amount of imaging media or unexposed film and processing, if available. The acceptance by us of the film, print, digital media, or images is without other warranty or liability, and recovery for any incidental or consequential damages is excluded. 90-day unclaimed orders will be considered abandoned.

I understand and agree to the terms above.

Customer Signature _____ Date _____

All prices, specifications & service times are subject to change without notice.



320-251-2622 St. Cloud, MN

Videotape, DVD, & Audio Transfer and Duplication

July 10, 2022

Videotape Transfer to Playable DVD

Service Time: 7 Lab Days. For RUSH service, add \$10.00 per original Videotape or DVD submitted for copying

NOTE: We will not duplicate Copyrighted material unless accompanied by a written release signed by the copyright owner. The only exception to this copyright policy: Foreign format videotapes converted to American TV format (NTSC); one copy of such material can be legally reproduced for personal use.

We copy these media formats to DVD Video:

VHS; VHS-C; 8mm video; Hi-8; Digital 8; Mini DV; DVD.

For **High Definition** digital tape transfers: several variations of Hi-Def format exist. Please bring in your Hi-Def video camera with your Hi-Def tapes to transfer, to insure that we can complete your order successfully.

Editable Files: Rather than a playable DVD, you may request editable files on a USB Drive: see right column →

DVD PRICING

For best image quality, we record no more than 2 hours of video onto one DVD.

Indicate one "Chapter Title" for each videotape you submit for copying. The Chapter Title will appear on the DVD menu page when you insert the DVD into most players. NOTE: Chapter Titles cannot exceed 16 characters in length.

Archival Gold DVD option, add to prices below .10.00
Copy one videotape TO DVD (up to 2 hours)29.95
Additional videotapes or DVDs copied onto the
same DVD (2 Hrs. max. with 1st tape) ..12.00 each

After the first DVD is produced, DVD copies cost:
1-4 DVD duplicate copies17.50 each
5-9 DVD duplicate copies14.95 each
10-19 DVD duplicate copies11.95 each
20+ DVD duplicate copies.....Call for Quotation

Fill out order form on page 25.

Digital Camera Memory Cards to DVD

Memory Card movie conversion to DVD-Video:
Price is determined by type of video files and total running length of videos.....\$39.95 per 2 hour DVD

Memory Cards with High-Definition Video transferred to **Blu-Ray** Discs.....\$74.95 to \$99.95 per 2 1/2 hour Blu-Ray Disc

Cell Phone Videos and Photos to DVD

Price is determined by the time we spend copying your files.

Repair Video Tape - Simple Repair 16.99

Service Time: 5 Lab Days.

Splicing of broken videotape where the ends are accessible. Replacement parts for broken tape cases will be charged separately.

READ THIS NOTICE: Submitting any film, print, digital media, or images in any form to this firm for processing, printing, or other handling constitutes an AGREEMENT by you that any damage or loss by our company, subsidiary, or agents, even though by our negligence or other fault, will only entitle you to replacement with a like amount of imaging media or unexposed film and processing, if available. The acceptance by us of the film, print, digital media, or images is without other warranty or liability, and recovery for any incidental or consequential damages is excluded. 90-day unclaimed orders will be considered abandoned.

Video Tapes to Editable Files

To transfer tapes to a **USB Drive** requires that we create editable video files, as compared to the playable video files that are on a **DVD Video** (playable in a DVD player attached to your TV, and also playable in most computers with an internal or external CD / DVD drive).

One 16GB USB Drive (Add to products below) \$9.95

Copy one videotape (up to 2 hours)
to USB Drive 34.95

Additional videotapes copied onto the **same**
USB Drive (2 Hrs. max. with 1st tape)..... 12.00 each

After the first USB is produced, USB copies....28.95 each
(One 16GB USB Drive is included in this price.)

Add a Playable DVD to the Editable video files ordered
above, providing both file options 15.95 each

Fill out order form on page 25.

Foreign Videotape & Beta Conversion

Service Time: 10 Lab Days.

Video tapes from other countries or on older tape formats are not playable in standard VHS equipment. Foreign formats include PAL or SECAM. The Old Tape formats are Beta and U-Matic. All conversions are transferred to an NTSC (American TV) format DVD.

Pricing for additional copies of foreign or Beta videotapes, refer to the left column of this page: *DVD Duplicate Copies.*

Foreign Format Conversion to 2 hour DVD 36.95
Beta Format Conversion to 2 hour DVD 36.95
U-Matic Format Conversion to 2 hour DVD 48.95

Transfer Audio Tapes & Records to CD

Service Time: 2 weeks. For RUSH service, add \$15.00 per original submitted for transfer.

Each CD holds up to 70 minutes of audio.

Audio Cassette Tape to CD 22.95
LP Record to CD 39.95
Reel-to-Reel Tape to CD 64.95
8-Track Tape to CD 64.95
Dictaphone Tape to CD 54.95
Duplicate CD 4.99

Convert Analog Audio Sources to MP3

Service Time: 8 Lab Days. For RUSH service, add \$15.00 per original submitted for transfer.

Each USB drive holds up to 100 hours of audio files.

One 16GB USB Drive (Add to products below) \$9.95
Cassette Tape to MP3 22.95
LP Record to MP3 39.95
Reel-to-Reel Tape to MP3 64.95
8-Track Tape to MP3 64.95

**FILL OUT OUR ORDER FORM ON
PAGE 25 WHEN ORDERING ANY
SERVICES ON THIS PAGE.**

All prices, specifications & service times are subject to change without notice.

Black & White "Develop & Print" and Scanning

July 10, 2022

35mm Black & White Develop & Print

Service Time: B&W film is processed on **Tuesdays and Thursdays**; printing is completed the next day. RUSH: \$15.00

Paper Options: Lustre; Matte; Glossy

Best quality: Lustre — Kodak Endura Professional Paper

We recommend Lustre because Endura paper offers the richest blacks and provides a full range of gray tones.

Glossy or Matte Kodak Royal Digital Paper is also available for Black & White prints (same price).

Minimum Charge: \$6.95 Develop Only fee for blank film.

- Borderless prints are standard; borders add \$2.00 per roll
- All 3200 ISO films require **Push Processing—add \$2.95 per roll**. Indicate which ISO the film was shot at; if you do not specify the ISO, we process at 3200 ISO.
- **Infrared process—HIE 135-36, add \$14.95 per roll. 4 days.**

| 35mm B&W Processing | 4x6 or 3 1/2x5 First Set | Identical Second Set |
|--|---------------------------------|-----------------------------|
| 24 Exposure | 18.95 | 9.60 |
| 36 Exposure | 25.95 | 14.40 |
| Discount for unprinted negatives..... | .50 each | .40 each |
| Additional full sets of prints, per print..... | | .40 each |
| Panoramic 35mm images mixed in your roll, per 4x12" print..... | 1.50 each..... | 1.50 each |

BLACK & WHITE or SEPIA-TONED PRINTS from **COLOR FILM**: same paper options and pricing as listed above.

120, 620 Black & White Develop & Print

Service Time: 4 Lab days. RUSH service: \$15.00.

Borderless prints. 120 square (6x6 format) negatives produce 5x5" prints (standard) or 4x4" prints if requested.

Minimum Charge: \$6.95 Develop Only fee for blank film.

| 120 & 620 B&W Processing | 4x5 or 5x5 First Set | Identical Second Set |
|---|-----------------------------|-----------------------------|
| 120-10 exposure (6x7 format) | 17.75 | 4.80 |
| 120-12 exposure (6x6 format) | 19.51 | 5.76 |
| 120-15 exposure (6x4.5 format) | 22.15 | 7.20 |
| Discount for unprinted negatives ... | 1.00 each..... | .48 each |
| Additional full sets of prints..... | | .48 each |
| Push processing, add per roll | | .2.95 |

B&W Non-Standard Sizes Developing

Service Time: 8 Lab days. ("Verichrome Pan" is B&W film.)

126 & 127 square format negatives are printed 5x5" unless you request 4x4" prints. Borderless Lustre prints.

Minimum Charge: \$6.95 Develop Only fee for blank film.

| | First Set | 2nd Set |
|--------------------------------------|------------------|----------------|
| 8 exp. 127 | 23.19 | 3.20 |
| 12 exp. 126, 127 | 30.31 | 4.80 |
| Discount for unprinted negatives ... | 1.78 each..... | .40 each |

B&W Develop Only

Service Times: Standard 35mm—Tuesdays & Thursdays; 120, 126, 127, 620 — 3 Lab Days. RUSH service: \$15.00.

Minimum Charge: \$6.95 per roll, even if roll is blank

Processed negatives are cut and packaged in flat sleeving unless requested uncut. 35mm film is cut into 4-frame strips.

| | |
|--|-------------|
| 35mm - 24 exposures or less | 6.95 |
| 35mm - 36 exposure..... | 7.95 |
| 120, 126, 127, 620..... | 8.95 |
| Push or Pull Process, add per roll..... | 2.95 |

Scan 35mm B&W Rolls

Service Time: 1 Lab Day (plus developing time—left column)

Scans are an excellent medium for archiving images, for ordering additional prints, and for e-mailing. We combine several rolls of film onto one CD; however the **price is per ROLL** of film. A CD Index Print of each roll is included at no charge.

| | ¹ Reprint Quality Scans | ² Enlargement Quality Scans | ³ Super Resolution Scans |
|--|------------------------------------|--|-------------------------------------|
| Scanning Price per Roll with Develop & Print..... | 5.99..... | 10.99 | 19.99 |
| Plus 35mm Develop & Print fee (see left column) | | | |

| | | | |
|--|-------------|--------------|--------------|
| Scanning Price per uncut roll with NO Prints..... | 8.99* | 13.99* | 24.99* |
|--|-------------|--------------|--------------|

*Add **Develop Only** charge if roll is unprocessed

¹ **Reprint quality Scans:** Will produce high quality 3 1/2x5, 4x6 and 5x7 prints. Pixel dimensions: 1500 x 1000

² **Enlargement Quality:** Will produce high quality enlargements and cropped reprints. Pixel dimensions: 3000 x 2000

³ **Super Resolution 35mm Scan:** Will produce Posters & Wide Format Enlargements. Pixel dimensions: 6700 x 4400. One CD holds up to 25 scans.

Scan 120 & 620-Size B&W Rolls

Service Time: 1 Lab Day (plus developing time—left column)

| | ⁴ Enlargement Quality Scans | ⁴ Super Resolution |
|---|--|-------------------------------|
| Scanning Price per Roll with Develop & Print..... | 5.99 | 14.99 |
| Plus 120 B&W Develop & Print fee (left column) | | |

| | | |
|---|--------------|--------------|
| Scanning Price per Uncut Roll with NO Prints | 13.99* | 21.99* |
|---|--------------|--------------|

*Add **B&W Develop Only** charge if roll is unprocessed

For TIFF format files, add \$5.00 setup per order (applies to any number of rolls).

⁴ See page 22 for the pixel dimensions of scanned 120 rolls.

B&W Develop & Contact Sheet

Service Time: 4 Lab Days

Negatives are scanned and digitally printed on an 8 1/2x11" contact sheet which resembles a traditional contact sheet. Then we sleeve the negatives.

| | DEVELOP & CONTACT SHEET | CONTACT SHEET ONLY |
|-----------------------------------|------------------------------------|---------------------------|
| 24 exposure 35mm..... | 16.95 | 11.95 |
| 36 exposure 35mm..... | 17.95 | 12.50 |
| 120 | 17.95 | |
| Push or pull processing, add 2.95 | | |

116 or 616-size B&W Developing

Develop Only (2 weeks) \$28.95, plus scanning price for Oversize Negatives or Trim & Scan (page 7, right column)

READ THIS NOTICE: Submitting any film, print, digital media, or images in any form to this firm for processing, printing, or other handling constitutes an AGREEMENT by you that any damage or loss by our company, subsidiary, or agents, even though by our negligence or other fault, will only entitle you to replacement with a like amount of imaging media or unexposed film and processing, if available. The acceptance by us of the film, print, digital media, or images is without other warranty or liability, and recovery for any incidental or consequential damages is excluded. 90-day unclaimed orders will be considered abandoned.

Black & White Printing and Enlargements

From Black & White or Color Negatives

July 10, 2022

35mm Black & White Reprints

Service Time: 2 Lab Days

Borderless prints are standard; borders available for \$2.00 per order.

Paper Options: Lustre; Matte; Glossy

Best quality: Lustre — Kodak Endura Professional Paper

We recommend Lustre because Endura paper offers the richest blacks and provides a full range of gray tones. Glossy or Matte Kodak Royal Digital Paper is also available for Black & White prints (same price).

Add .99 service charge for each 35mm negative that is not in a strip of at least 2 frames or 3 inches long.

Quantity prices apply to the total number of same-size prints requested in one order.

Pricing for 35mm full-frame B&W negatives:

| Prints per order ▶ | 1-3 | 4-9 | 10-49 | 50+ |
|---------------------------------------|--------|------|-------|------|
| 3½x5 | 1.65 | 1.55 | 1.35 | 1.20 |
| 4x6 | 1.65 | 1.55 | 1.35 | 1.20 |
| 8 wallets die cut | \$6.75 | | | |
| Wallets-2 per sheet, not die cut | \$1.50 | | | |

120 & Non-Standard Size B&W Reprints

Service Times: 4 Lab Days from 120, 620, 70mm negatives
5 Lab Days from all other negative sizes

Refer to the *Film Size Identification Guide* (pages 26 - 28) to identify old negative sizes and to determine our printing options and pricing for reprints of those negatives.

135 half-frame: choose 3½x5 or 4x6 prints.

120 square (6x6 cm) negatives produce 5x5" prints.

126 & 127-size square negatives are printed 4x4" unless you request 5x5" prints. For 110, 126 and 127-size negatives, add \$1.00 per negative to the prices below. NOTE: These films must be in strips of at least three negatives per strip.

For 70mm, 116 or 616 negatives, we must trim 3/16" off the two narrow edges of the negative (\$0.30 per neg.) The trimmed negative (2 3/8" wide) will fit into our 120 film carrier for printing. If important subject matter of a 70mm, 116 or 616 -size negative is close to any edge of the negative, you may prefer to order *B&W Reprints from Oversize Negatives* → to avoid any image cropping of the negative. (See bottom of page 27 to see how much image area is cropped on reprints.)

4x5 sheet film, see *B&W Oversize Negs.* in next column →

Quantity reprint prices apply to the total number of **same-size** prints requested from all **same-size negatives** in one order.

| Prints per order ▶ | 1-3 | 4-9 | 10-49 | 50+ |
|--------------------------|------|------|-------|------|
| 3½x5 | 2.40 | 2.25 | 2.15 | 1.90 |
| 4x6, 4x5, 4x4, 5x5 | 2.40 | 2.25 | 2.15 | 1.90 |

Wallets-8 die cut 6.75 per sheet

Wallets-2 per sheet, not die cut \$2.29 per set

B&W or Sepia Toned Enlargements

Service Time: 3 Lab Days

Kodak Endura Lustre is our standard B&W paper.

Glossy or Matte Kodak Royal paper is available on request, at the same price as Endura Lustre prints.

| | From 35mm Negatives | From 120-size Negatives* |
|---------------------------------|---------------------|--------------------------|
| Quantity from the same Negative | 1 2+ | 1 2+ |
| 5x7 | 5.50 3.50 | 6.00..... 3.50 |
| 8x10..... | 9.00 6.75 | 10.25... 6.75 |
| 8x12..... | 10.25 8.25 | 11.50... 8.25 |
| 8½x11..... | 11.50 8.25 | 12.60... 8.25 |
| 11x14..... | 19.50 16.50 | 18.00. 16.50 |
| 11x16..... | 20.75 18.95 | 21.75. 18.95 |
| 12x18..... | 24.00 21.75 | 25.00. 21.75 |

*For 70mm, 116 or 616-size negatives, we must trim 3/16" off the narrow edges of the negative (\$0.30 per neg.) The trimmed negative (2 3/8" wide) will fit into our 120-size film carrier for printing. Some cropping of the image area will occur — approximately 25% of the overall image area (see page 27 for details). If important subject matter is close to any edge of the negative, order *Enlargements from Oversize B&W Negatives* (below) to avoid any cropping.

B&W Reprints & Enlargements from Oversize Negatives

The following B&W negative sizes require "oversize" pricing:

- Sheet film: 4x5", 5x7", 8x10" size, and glass negatives
- 70mm, 116 or 616-size negatives (unless you permit us to trim them to 2 3/8" wide — see explanation above)

Service Time:

Up to 8 negatives: 4 lab days; larger orders: 7 lab days.

| Print Size Requested | First Print of Each Negative | Additional Prints From Same Negative |
|--------------------------|------------------------------|--------------------------------------|
| Up to 4x6 | 10.95 | 2.40 |
| 5x7 | 11.95 | 2.99 |
| 8x10 | 16.95 | 5.99 |
| 8x12 | 17.95 | 7.10 |
| 8½x11 | 18.95 | 7.50 |
| 11x14 | 24.95 | 14.40 |
| 11x16 ¹ | 26.95 | 16.50 ¹ |

For larger prints, see *Wide Format Enlarging*—page 2.

¹ Flat shipping, if requested, adds \$14.00 per order.

READ THIS NOTICE: Submitting any film, print, digital media, or images in any form to this firm for processing, printing, or other handling constitutes an AGREEMENT by you that any damage or loss by our company, subsidiary, or agents, even though by our negligence or other fault, will only entitle you to replacement with a like amount of imaging media or unexposed film and processing, if available. The acceptance by us of the film, print, digital media, or images is without other warranty or liability, and recovery for any incidental or consequential damages is excluded. 90-day unclaimed orders will be considered abandoned.

Miscellaneous Film Processing Services (Page 1 of 2)

July 10, 2022

110 & 126 Develop, Scan & Print (C-41)

Service Time: 10 Lab Days Matte or Glossy finish prints.

C-41 process. Prints, if requested, on Kodak Royal paper. **Scanning** the negatives is **required** prior to making prints. We develop your cartridge of negatives (\$5.95), scan the visible images (\$1.58 per negative), and, if requested, make prints (\$0.20 per print). Scans are written to CD (no charge). 110 film makes 4x5" prints. 126 film makes 4x4" prints.

Minimum Charge: \$5.95 Develop Only service (blank film)

110 & 126 C-41 Develop Negatives & Scan to CD

| | Develop & Scan | Develop & Scan & Print |
|---|----------------|------------------------|
| 12 Exposure | 24.91 | 27.31 |
| 24 Exposure | 43.87 | 48.67 |
| Discount for unscannable negs | 1.58 each | |
| Discount for prints not made from blank images..... | 20 each | |

Scans & Prints from Old 110 & 126 Negs

Scan Old 110 & 126 Negatives* (Developed Previously) :

Price for each scan (each individual image)..... \$1.89

Plus \$4.99 per CD

Prints made *at time of Scanning, per print*..... 20

* Cut Negative Surcharge for Scanning

110 and 126 negatives must be submitted in strips of at least four frames long when ordering reprints; for shorter strips add \$.99 per individual negative scanned.

Disc Film Develop & Print and Reprints

Service Time: 20 Lab Days. 4x5" prints. Glossy finish.

Minimum Charge: \$16.95 Develop Only service (blank film)

| <u>Disc Film Processing</u> | 4x5 | Identical |
|-----------------------------|-----------|-----------|
| | First Set | 2nd Set |
| 15 Exposure | 24.95 | 14.25 |

Disc Reprints: Quantity prices apply to the total number of prints requested in one order.

| Quantity of reprints per order ▶ | 1-23 | 24-99 | 100+ |
|----------------------------------|------|-------|------|
| 4x5 | 2.99 | 2.50 | 2.25 |

Scan Disc Negatives: \$3.25 per image plus \$4.99 per CD.

Quantity pricing for Disc scans: 20% off for 150+ images.

After scanning Disc negatives, 4x5" reprints cost \$0.44 each.

127 C-41 Develop & Print, Reprints

Service Time: 8 Lab Days

4" prints on Matte surface Kodak Royal paper.

C-41 process.

Minimum Charge: \$8.50 Develop Only service

| <u>127 C-41 Processing</u> | First Set of 4" Prints |
|---------------------------------|------------------------|
| 8 Exp. 127 full frame—4x6 | 21.30 |
| 12 Exp. 127 square—4x4 | 27.70 |

Discount for unprinted negatives... 1.60 each

Reprints: Quantity prices apply to the total number of prints requested in one order.

| Quantity per order ▶ | 1-3 | 4-9 | 10-24 | 25+ |
|----------------------|------|------|-------|------|
| 4x4, 4x5, 4x6 | 2.25 | 2.15 | 2.00 | 1.85 |

Seattle Filmworks 35mm Processing

Process: ECN-II or SFW-XL. Service Time: up to 2 weeks.

Applicable Films: Seattle Filmworks; Signature Color; Eastman 5247 or 5294; Kodak Vision 2 or Vision 3 500T / 5218 or 7218.

Choose Matte or Glossy, 4x6 or 3½x5. Kodak Royal Paper. Default service is 4x6 Matte prints (if you don't specify).

Minimum charge: \$16.00 Develop Only service

ECN-II Develop & Print 4x6 or 3½x5 First Set

| | |
|-------------------------|-------|
| 20 or 24 Exposure | 26.95 |
| 36 Exposure | 32.95 |

Scan ECN-II process film to CD:

| | ¹ Reprint Quality Scans | ² Enlargement Quality Scans |
|---|------------------------------------|--|
| Scanning Price per Roll with Develop & Print..... | 5.99 | 10.99 |
| Plus ECN-II Develop & Print fee (above) | | |

Scanning Price per roll

with NO Prints..... 10.95* 13.99*

* Plus the **Develop Only** charge of \$16.00

¹ **Reprint quality CD:** Will produce high quality 3½x5, 4x6 and 5x7 prints. Pixel dimensions: 1500 x 1000

² **Enlargement Quality CD:** Will produce high quality enlargements and cropped reprints. Pixel dimensions: 3000 x 2000

C-22 Processing (126, 127, 35mm, 620)

Service Time: 12 Lab Days.

Applies to these film processes: C-22, CN-17, NC-21, E-4, G25, ACN, CT-18, GAF, Triple Print, Agfachrome. Film Sizes: 126, 127, 35mm, 120, 620.

We process these old films as Black & White negatives, since the color chemicals are no longer available. The negatives are usually very dense and are very low in contrast. We optimize the contrast and brightness of each image to make a 4x6" or 4x4" Lustre print and save the improved images onto a CD. Only about 25% of these pre-1975 films have **any** printable images.

Minimum Charge: \$9.95 if film has no printable images

Develop, Scan, & Print C-22 Film

| | Develop as B&W Negatives | Each Printable Image |
|---------------------------|--------------------------|----------------------|
| C-22 Roll Processing..... | 19.95 | 1.00 |

Examples of typical C-22 pricing (develop + scan to CD + print):

12 exposures printed & scanned

20 exposures printed & scanned

36 exposures printed & scanned

READ THIS NOTICE: Submitting any film, print, digital media, or images in any form to this firm for processing, printing, or other handling constitutes an AGREEMENT by you that any damage or loss by our company, subsidiary, or agents, even though by our negligence or other fault, will only entitle you to replacement with a like amount of imaging media or unexposed film and processing, if available. The acceptance by us of the film, print, digital media, or images is without other warranty or liability, and recovery for any incidental or consequential damages is excluded. 90-day unclaimed orders will be considered abandoned.



320-251-2622 St. Cloud, MN

All prices, specifications & service times are subject to change without notice.

Miscellaneous Film Processing Services (Page 2 of 2)

July 10, 2022

+ = Matte paper; - = Glossy paper

4x5 Sheet Film Processing

Please specify how many sheets you are enclosing, and the specific film type submitted (required for Black & White).

RUSH Service: add \$25.00 per order

C-41 4x5 Color Negative Processing

Service Time: 2 weeks for film processing, plus scanning or printing time, if requested.

| | |
|-------------------------------------|-------|
| Minimum Charge—4 sheets | 28.00 |
| Per 4x5 C-41 sheet..... | 7.00 |
| Push processing, add per sheet..... | 2.50 |

4x5" color negatives must be scanned for printing: \$8.95 minimum. See *Scan Oversize Negatives or Transparencies* at the bottom of this column.

Black & White 4x5 Negative Processing

Service Time: 2 weeks for film processing, plus scanning or printing time, if requested.

| | |
|-------------------------------------|-------|
| Minimum Charge—4 sheets | 28.00 |
| Per 4x5 B&W sheet | 7.00 |
| Push processing, add per sheet..... | 2.50 |

Scan 4x5 Sheet Film and Oversize Negatives or Transparencies

Service Time: 6 Lab Days (10 Lab Days for 25+ scans)

We scan 70mm, 4x5", 5x7", 8x10" sheet film, glass, and non-standard size negatives & transparencies (maximum size: 8.5x11"). Standard Resolution Scans are ≈ 3000 x 2400 pixels, saved as JPEG files, and will produce high quality prints up to 8x12". Super Resolution Scans are ideal for jobs requiring critically sharp images for reproduction; scanned images are ≈ 8000 x 6400 pixels, saved as both JPEG and Photoshop PSD files, and will produce prints as large as 44x66".

| Oversize Film Scans | Add \$4.99 per CD | |
|---------------------|---------------------------|------------------------|
| | Standard Resolution Scans | Super Resolution Scans |
| 1 - 9 | 11.95 | 19.95 |
| 10 - 24 | 9.95 | 17.95 |
| 25 - 99 | 8.95 | 15.95 |
| 100 + | 7.95 | 14.95 |

35mm Half-Frame Developing, Reprints

Service Time: 4 Lab Days

4x6" prints on Matte or Glossy surface Kodak Royal paper. Price includes \$5.95 film process charge plus \$.50 per print. Full, uncut rolls of developed negatives receive D&P pricing.

35mm Half-Frame C-41 Processing

| | 4x6 First Set | Identical 2nd Set |
|--|---------------|-------------------|
| 24 Exposure (135-12 film) | 17.95 | 9.60 |
| 48 Exposure (135-24 film) | 29.95 | 19.20 |
| 72 Exposure (135-36 film) | 41.95 | 28.80 |
| Discount for unprinted negatives | .50 each..... | .40 each..... |
| Additional full sets of prints, per print..... | .40 each | |

* **35mm Half-Frame Reprints:** Quantity prices apply to the total number of prints requested in one order.

| | | | |
|--------------------------|------------|------------|--------------|
| Quantity per order ▶ 1-3 | 4-9 | 10-24 | 25+ |
| 4x6 | 1.29 | 1.09 | .99..... .79 |

Kodachrome Slide Processing — 35mm

Service Time: 3 to 4 weeks

We process Kodachrome film as Black & White negatives, since the color slide chemicals are no longer available. The negatives are usually very dense and are low in contrast. We optimize the contrast and brightness of each image to make a 4x6" Black & White Lustre print and save the improved images onto a CD. Only about 40% of Kodachrome films have any printable images. Price includes prints and scans.

Minimum Charge: \$9.95 if film has no printable images.

Develop, Scan, & Print Kodachrome Slide Film

| | Develop as B&W Negatives | Each Printable Image |
|--|--------------------------|----------------------|
| Kodachrome Roll Processing ... | 19.95 | 1.00 |
| Price per roll if all negatives have printable images: | | |
| 20 exposure 35mm..... | \$39.95 | |
| 24 exposure 35mm | \$43.95 | |
| 36 exposure 35mm..... | \$55.95 | |

Outdated Movie Film Processes

We offer no developing service for the following movie film processes: K-11; K-12; E-2; E-4; EM-25; EM-26.

Contact *Film Rescue International*: 800-329-8988

See page 11 for our Movie to DVD Transfer Services.

Print from Video Tape (Video "Negative")

We capture the image(s) you request and provide a CD and a 4x6" print of each image. NOTE: Low resolution images! Describe the image, and stop the videotape at the image.

1st Image...\$24.50 Additional Image Captures.... \$19.50 ea

READ THIS NOTICE: Submitting any film, print, digital media, or images in any form to this firm for processing, printing, or other handling constitutes an AGREEMENT by you that any damage or loss by our company, subsidiary, or agents, even though by our negligence or other fault, will only entitle you to replacement with a like amount of imaging media or unexposed film and processing, if available. The acceptance by us of the film, print, digital media, or images is without other warranty or liability, and recovery for any incidental or consequential damages is excluded. 90-day unclaimed orders will be considered abandoned.



320-251-2622 St. Cloud, MN

All prices, specifications & service times are subject to change without notice.

Photo Gifts and Novelty Items

July 10, 2022

Service Time: 4 lab days unless otherwise specified.

Photo T-Shirt \$28.95

Your digital image is enlarged and transferred to a special T-shirt material suitable for the dye sublimation printing process, creating a shirt that is machine washable and durable. Adult sizes Small to XXL are available. Add \$9.95 for a 2nd image on the shirt back. *Text can also be added. NOTE: The photo image size is about 8x10 inches on the shirt. Please let us know if you need a different size.

Porcelain Ornament \$16.95

Your image is transferred onto a 1/4" thick porcelain ornament. Shapes include Circle, Star, and Wreath. Cropping can be an issue depending on the image supplied and shape chosen. Add a 2nd image on the back for \$5. *Text can also be added.

Photo Mug \$16.95 to \$18.95

Transfer your photo to a dishwasher safe ceramic mug. Add a 2nd image on the back for \$4. *Text can also be added.

11 ounce photo mug \$16.95

15 ounce photo mug \$18.95

Travel Tumbler \$22.95

12 oz. Stainless Steel Travel Tumbler with photographic panel inserted inside the wall of the tumbler. The screw-on bottom holds the photo panel securely inside.

Aluminum Water Bottle \$22.95

Your image is infused into the surface of a 20 oz. aluminum bottle. Dishwasher safe. This bottle comes with a secure screw top and a black carabiner. It fits in any standard-size car cup holder.

Photo Keychain \$4.95

Acrylic Keychain with photo on the front and back. If only one photo is submitted it will be reproduced on both sides.

Computer Mouse Pad \$16.95

Mouse Pad is 7 3/4" x 9 1/4". *Text can be added.

Locket-Size Print \$10.95

We reproduce your photo on a sheet of miniature photos of various sizes, one of which should fit your locket. Sizes range from 6x9mm to 25x35mm. We can trim the new print to fit your locket for an additional fee of \$4.95.

Photo Jigsaw Puzzle \$22.95 to \$34.95

7 1/2" x 9 1/2" 110 piece puzzle ... \$22.95.

10 1/2" x 13 1/2" 130 or 252-piece puzzle ... \$34.95.

Metal Dog Tag \$12.95

Your image is infused into the surface of a 1 1/4 x 2" metal dog tag. If you want an image on both the front and back side of the dog tag, the price is \$15.95.

Fabric Transfer for Quilt Squares \$16.95

Your photo is reproduced onto 12x12" white fabric specially formulated to retain color fastness for many years.

NOTE: The largest image size we produce on 12x12" fabric is 11x11 inches. Larger size fabric transfers are available by quotation; please contact us with your specifications.

8 1/2 x 11" Wall Calendar \$29.95 (or less in quantity)

Your 13 photos are printed on our digital press printer, then spiral bound into an attractive 8 1/2 x 11" wall calendar. Personalized dates may be added for \$1.00 per date. If you submit prints, negatives or slides rather than digital photographs, a scanning fee is added to your order. Quantity prices: 2-9 ... \$22.95; 10 or more ... \$20.95

Desk Calendar \$22.95

Your 12 digital photos are printed on Kodak Royal paper and packaged in a clear plastic jewel case that serves as a desktop stand. Desk Calendars are available in White, Black, and Rainbow styles.

Single-Page Photo Calendar \$8.95

This 8x10" single-page calendar goes perfectly in your work or home office. Several styles are available. We can make your single page photo calendar "refrigerator friendly" by adding a Magnetic Back for \$5.00 more: **\$13.95 total**

Set of 4 Coasters with Stand \$34.95

Up to 4 images (1 per coaster) transferred to this set of 3 3/4" cork backed coasters with wooden coaster stand. Single coasters can also be ordered (\$11.95 each).

Photo Buttons \$4.00

Photo Buttons measure 3" in diameter, circular in shape.

Refrigerator Magnets From \$3.50

Refrigerator magnets are available in various sizes:

2 1/2 x 3 1/2" Wallet-size Magnet: \$3.50

3 1/2" Round Magnet: \$4.00

3 1/2 x 5" Rectangular Magnet: \$4.75

4x6" Rectangular Magnet: \$6.00

5x7" Rectangular Magnet: \$9.00

Acrylic Cutouts \$26.95 to \$74.95

Service Time: 2 weeks. Your image is affixed to a 1/4"-thick acrylic backing, laser cut to shape, and mounted onto a base for standing. The size of the cutout may appear smaller than your original photograph, because the image is cut out.

Keychain Cutout: \$26.95

Cutout from 5x7 original: \$45.95

Cutout from 8x10 original: \$56.95

Cutout from 11x14 original: \$74.95

Playing Cards \$38.95

Service Time: 2 weeks. Personalized photo playing cards. This is a full set of 2 1/2 x 3 1/2" playing cards with jokers included. A vertical photo is required for this item.

Baby Bib \$22.95

Your image will be transferred to either a 9x8" Blue or Pink polyester bib with string tie closure. *Text can be added.

*Text can be added to many items. Pricing starts at \$2.95 for simple text layout.

Canvas Prints & Metal Art

December 12, 2022

Canvas Prints

Service Time: 8 Lab Days

Canvas prints provide a classic method for displaying your photographs or artwork. Using a 12-ink archival printer, your image is printed on *Lexjet Sunset Reserve Gloss Canvas* material. If requested, your print is gallery wrapped around a wooden stretcher bar frame, ready to hang in your home or office.

Canvas prints are available in several options:

- **Plain Canvas:** For those who want to stretch their own canvas, we supply your image professionally printed on canvas material. The image is the size specified below, with two inches of extra canvas material around all 4 edges, ready to stretch.

- **Stretched Canvas:** The canvas print is stretched onto a wooden "stretcher bar" back-side frame providing a complete internally framed artwork ready to hang and display. See options **A** and **B** below.

Standard stretcher bar frames measure 1 1/16" deep.

Deluxe stretcher bar frames measure 1 3/8" deep.

A. Front-Printed Canvas: Your image is printed to the front edges of the stretcher bar. White canvas is visible on the 4 edges of the stretcher bar frame.

B. Gallery Wrapped Canvas:

We mirror your image to wrap around the 4 edges of the stretcher bar, providing a pleasing 3-dimensional appearance regardless of one's angle of view.

| Canvas Prints | Standard | Deluxe |
|---------------|--------------|---------------------|
| Image Size | Plain Canvas | Stretched Canvas |
| 8x10 | 34.95 | 68.95 |
| 11x14 | 45.95 | 89.95 |
| 16x20 | 56.95 | 114.95 ¹ |
| 16x24 | 68.95 | 138.95 ¹ |
| 20x24 | 79.95 | 149.95 ¹ |
| 20x30 | 89.95 | 169.95 ¹ |
| 24x30 | 114.95 | 204.95 ¹ |
| 24x36 | 149.95 | 239.95 ² |
| 30x40 | 175.95 | 299.95 ² |
| 36x48 | 219.95 | 455.95 ² |
| 40x60 | 239.95 | |

When submitting digital files for canvas prints be aware that large image files are needed to produce optimum quality. We can print digital files from most file formats and application programs.

¹ Flat shipping surcharge of \$14.00 per order is required on these sizes of stretched canvas prints if shipping is requested.

² Flat shipping surcharge of \$24.00 per order is required on these sizes of stretched canvas prints if shipping is requested.

READ THIS NOTICE: Submitting any film, print, digital media, or images in any form to this firm for processing, printing, or other handling constitutes an AGREEMENT by you that any damage or loss by our company, subsidiary, or agents, even though by our negligence or other fault, will only entitle you to replacement with a like amount of imaging media or unexposed film and processing, if available. The acceptance by us of the film, print, digital media, or images is without other warranty or liability, and recovery for any incidental or consequential damages is excluded. 90-day unclaimed orders will be considered abandoned.



320-251-2622 St. Cloud, MN

Metal Art

Service Time: 8 Lab Days

Metal Art is available in several options:

- **Single Panel:** Single Aluminum Prints are available in any size up to 24x36". If you want a permanently attached metal easel/hanger on the back, specify that when ordering. Wall mount blocks or standoff posts allow the aluminum panel to float 1/2" from the wall. We also sell a variety of wrought iron easels for displaying aluminum prints on a desk or tabletop.

| | | | |
|-------|-------|----------------------|--------|
| 4x6 | 17.95 | 16x20 ¹ | 113.95 |
| 5x7 | 24.95 | 16x24 ¹ | 147.95 |
| 8x10 | 32.95 | 20x30 ¹ | 206.95 |
| 8x12 | 39.95 | 24x30 ² | 249.95 |
| 11x14 | 54.95 | 24x36 ² | 326.95 |
| 12x18 | 74.95 | Other sizes by quote | |

- **Double Panel:** Double Aluminum Prints are a unique way to display your photos on metal. A single aluminum print is floated 1/2" off the surface of a second, larger print, creating a contemporary "framing" effect. The background panel can be one of our stock images, your image, bare metal, or 1/4" black acrylic. It can also be displayed on an easel or with wall mounts or standoffs.

...with Printed Background:

| | |
|----------------|--------|
| 5x7 on 8x10 | 54.95 |
| 8x10 on 11x14 | 74.95 |
| 12x18 on 16x22 | 199.95 |

...with Copper Patina Printed Background:

| | |
|----------------|--------|
| 8x10 on 11x14 | 69.95 |
| 12x16 on 16x20 | 194.95 |

...with Non-Printed Background:

| | |
|---|--------|
| 8x10 on 11x13 Mirrored Stainless Steel | 109.95 |
| 8x10 on 11x13 Brushed Stainless Steel | 109.95 |
| 8x10 on 11x13 Black Acrylic | 109.95 |
| 12x18 on 16x22 Mirrored Stainless Steel | 199.95 |
| 12x18 on 16x22 Brushed Stainless Steel | 199.95 |
| 12x18 on 16x22 Black Acrylic | 199.95 |

Easels, Stands & Wall Mounting Options

Attached Metal Easel/Hanger

Can be displayed on the wall or on a desk or shelf.

| | |
|----------------------------|---------|
| Small (5"x7" to 8"x10") | \$ 4.99 |
| Large (10"x10" to 11"x14") | \$ 8.99 |

Wall Mount Blocks

"Floats" the metal art a half inch from the wall.

| | |
|-------------------------------|----------|
| Small (up to 5"x 7" Vertical) | \$ 7.50 |
| Large | \$ 11.50 |

Standoff Posts—Fasten Into Wall Anchors (not included)

Polished aluminum or black posts hold the metal art or black acrylic background half an inch from the wall. Use either 4 posts (one in each corner) or 2 posts at the top, with a complementary wall mount block at the bottom.

\$ 8.95 per Standoff Post (Aluminum or Black color)

All prices, specifications & service times are subject to change without notice.

Photo Greeting Cards and Press-Printed Products

July 10, 2022

More than 200 PhotoCard designs available including:

- Christmas, Thanksgiving, New Year's Holiday Greetings
- Various Secular and Religious Holiday Greetings
- Graduation Announcements & Open House Invitations
- New Baby Announcement
- Wedding Invitations
- Thank You Cards

View many of our designs online: www.thecamerashop.com
 We also have Photo Card display booklets available: Holiday Photo Cards; Graduation Photo Cards; (more to come...).
 If we don't have a design that fits your need, we can create a **Custom Design** — \$28.95 for typical layouts.
 Choose Glossy or Matte finish Kodak Royal paper or Lustre finish Kodak Professional Endura paper.
 Note that prices are 25% higher during December, our peak season for Photo Greeting Cards.

PHOTOCARD SERVICE TIMES & SPECIFICATIONS

Prices include mailing envelopes and are based on all cards being made from one image using one greeting card design.
 2 Lab days from your digital file, 35mm, 120, or APS negative
 4 Lab days from a print or slide: add \$4.99 per order

IMPRINTING YOUR NAME(s) on Photo Greeting Cards: Add \$6.99 per order. Request a Photo Greeting Card Order Form.

CROPPING: We can crop out distracting background to improve your picture. Cropping adds 99¢ per order.

RED-EYE REDUCTION: We can reduce or eliminate red-eye in many photographs for \$2.99 per image. Some red-eye photos are more difficult to fix—add \$9.95 to \$19.95, depending on difficulty.

COPYRIGHT NOTICE: Professional portraits and copyrighted images cannot be reproduced without written permission from the copyright owner.

PhotoCards on Kodak ROYAL Paper

Glossy finish is standard; Matte is available upon request.

| Quantity | 4 x 8" | | 5 x 7" | |
|-----------|-----------------------|-----------------------|-----------------------|-----------------------|
| | PHOTO CARDS | | PHOTO CARDS | |
| | Jan. 1st to Nov. 30th | Dec. 1st to Dec. 31st | Jan. 1st to Nov. 30th | Dec. 1st to Dec. 31st |
| 1 - 9 | 1.14 | 1.42 | 1.25 | 1.55 |
| 10 - 39 | 82¢ | 1.02 | 87¢ | 1.09 |
| 40 - 69 | 74¢ | 92¢ | 78¢ | 98¢ |
| 70 - 99 | 66¢ | 82¢ | 70¢ | 91¢ |
| 100 - 499 | 59¢ | 74¢ | 64¢ | 82¢ |
| 500 - 999 | 45¢ | 56¢ | 49¢ | 67¢ |

PhotoCards on Kodak Professional ENDURA

Lustre finish, with copyright watermark on back.

| Quantity | 4 x 8" | | 5 x 7" | |
|-----------|-----------------------|-----------------------|-----------------------|-----------------------|
| | PHOTO CARDS | | PHOTO CARDS | |
| | Jan. 1st to Nov. 30th | Dec. 1st to Dec. 31st | Jan. 1st to Nov. 30th | Dec. 1st to Dec. 31st |
| 1 - 9 | 1.23 | 1.54 | 1.42 | 1.77 |
| 10 - 39 | 90¢ | 1.12 | 98¢ | 1.23 |
| 40 - 69 | 83¢ | 1.04 | 89¢ | 1.12 |
| 70 - 99 | 75¢ | 94¢ | 81¢ | 1.02 |
| 100 - 499 | 69¢ | 87¢ | 75¢ | 94¢ |
| 500 - 999 | 54¢ | 68¢ | 60¢ | 76¢ |

Press-Printed Products

We can produce a variety of products on our digital press. For product and pricing information, see our *Press-Printed Products* price list. Please call our St. Cloud store to obtain a custom quote & to receive sample materials for your project.

Press-Printed Photo Cards

Prices include mailing envelopes and are based on all cards being made from your images using one greeting card design. Smooth Cardstock is our standard paper; other papers available by quote.

| Quantity | 2-SIDED 5x7" PHOTO CARD | | FOLDED 5x7" PHOTO CARD | | ACCORDION PHOTO CARD | |
|-----------|----------------------------|-----------|---------------------------|-----------|-------------------------|-----------|
| | Jan. to Nov. | Decem-ber | Jan. to Nov. | Decem-ber | Jan. to Nov. | Decem-ber |
| | 1 - 9 | 3.67 | 4.59 | 4.60 | 5.75 | 6.31 |
| 10 - 39 | 1.83 | 2.29 | 2.52 | 3.15 | 2.79 | 3.49 |
| 40 - 69 | 1.67 | 2.09 | 2.28 | 2.85 | 2.60 | 3.25 |
| 70 - 99 | 1.56 | 1.95 | 2.12 | 2.70 | 2.48 | 3.10 |
| 100 - 499 | 1.35 | 1.69 | 2.04 | 2.55 | 2.39 | 2.99 |
| 500 + | 1.19 | 1.49 | 1.92 | 2.40 | 2.16 | 2.70 |

SERVICE TIMES AND SPECIFICATIONS

3 lab days from your digital photographs, ordered through our Online Photo Lab (www.TheCameraShop.com), or using our in-store kiosks.

IMPRINTING YOUR NAME(s) on Photo Greeting Cards: Free when you order online. Add \$6.99 per order in-store. Request a Photo Greeting Card Order Form.

CUSTOM DESIGNED GREETING CARDS: Our digital artists can design a unique custom card for you. Layout starting at \$39.95 for 2-Sided and Folded Photo Cards.

Photo Business Cards

Our full-color business cards will make a lasting impression on your customers or clients. Initial orders are completed in one week; re-orders with no changes take three days. Our standard Photo Business Cards measure 2x3½".

We supply you with a full-color proof for your approval before we print your business cards. Proofs can be e-mailed.

Standard order setup charges:

This includes scanning one image, one logo scan, and typesetting/layout of the business card. (Save \$10.00 per setup when you order 3 or more setups for the same company with the same overall layout design.)

| | |
|---|-------|
| Standard Business Card setup charges | 34.95 |
| Setup charge for reorders with no changes | 5.95 |
| Setup charge for reorders with changes in text only | 14.95 |

Kodak Royal Paper, thicker than standard photographic paper—an ideal weight for business cards.

Printing 1-sided cards (all from the same layout) EACH

| | | |
|---------------------------|--------|----|
| 100 cards (minimum order) | 22.00 | 22 |
| 200 cards | 40.00 | 20 |
| 300 cards | 54.00 | 18 |
| 500 cards | 80.00 | 16 |
| 750 cards | 105.00 | 14 |
| 1000 cards | 110.00 | 11 |
| 2000 cards | 180.00 | 09 |

READ THIS NOTICE: Submitting any film, print, digital media, or images in any form to this firm for processing, printing, or other handling constitutes an AGREEMENT by you that any damage or loss by our company, subsidiary, or agents, even though by our negligence or other fault, will only entitle you to replacement with a like amount of imaging media or unexposed film and processing, if available. The acceptance by us of the film, print, digital media, or images is without other warranty or liability, and recovery for any incidental or consequential damages is excluded. 90-day unclaimed orders will be considered abandoned.



320-251-2622 St. Cloud, MN

All prices, specifications & service times are subject to change without notice.

Restoration, Enhancement & Recovery Services

July 10, 2022

Restoration Services

Normal service time is 8 Lab days (1½ weeks in lab). We scan your damaged photograph into a computer, restore it digitally, and provide you with a 4x6 print and a CD of the restoration. Your original photograph is returned to you in its original condition. Additional reprints or enlargements of your restored image can be printed at our standard charges for digital prints.

Be aware that some flaws or textures on old prints may be more prominent when scanned than they appear to the naked eye. Please use the retouching categories below to pre-estimate your restoration fee. We will call before starting the work if our services will be more expensive than your pre-estimate.

Original photographs larger than 11x14" require an additional charge for scanning oversize prints (page 5).

Retouched images are kept the same size and proportional dimensions as the original photograph unless otherwise instructed. Please let us know what sizes you are thinking about printing. For example a 5x7 may crop into someone's head or arm that is visible in an 8x10. Orders resubmitted for additional retouching or alternative cropping will incur additional charges for digital services performed and any prints.

Minor Restoration \$22.95

In this Minor Restoration category, we fix **one** of these flaws: A minor scratch, stain or crack in background of image. Removing date from a smooth background. Red-Eye removal on one to four people. Reduce grain. Minor overall color and/or contrast adjustment.

Light Restoration \$39.95

Two to three scratches, stains or cracks in non-detail area of image. Color or contrast adjustments to 1 or 2 areas of the image. Simple facial blemishes and glass glare (if you can still see the eyes) on one or two people. Adding spot color to black & white image.

Medium Restoration \$68.95

Three to five scratches, stains or cracks (one or two into main subject of image). Replace background using generic "studio" backdrop or customers supplied image. Recreate missing corners of simple background. Adding or removing a single person or "trading faces" from another photo. Correcting color and contrast on faded images. Glass glare that hides the eyes. Colorizing part of a black & white or faded color image.

[Continued at top of next column.]

Heavy Restoration..... \$94.95

Five or more scratches, stains or cracks (two or three into face or other detailed area). Recreate missing corners of moderately complex background. Adding or removing multiple people or "trading" two or three faces from other photos. Correcting color and contrast on severely faded images. Colorizing black & white or faded color image. Removing paper texture or overall cracking of emulsion.

Severe Restoration \$140.00 or more

Recreate missing areas of a complex background. Photos with multiple scratches, stains or cracks in high detail area of image (like a face). Heavily stained or mildewed prints. Removing heavy writing.

Artistic Photographic Enhancement

Our digital artists can enhance your photographs in many ways. Adding text, special borders, graphics, logos, overlays, etc., can all be achieved. Our standard fee is \$96.00 per hour. Please request an estimate.

To add a name or one line of text to your photograph, add \$2.95 to the standard charges for scanning and/or printing.

Recover Lost Images from Memory Card

Images can be recovered from most camera cards. We save all of the recovered JPEG files to a CD or DVD. Additional CDs or DVDs may be required if there are more images than can fit onto one CD or DVD. There is no charge if we cannot recover any images. There is no guarantee that any files will be recovered, or that the files recovered will be the images you are looking for. Movie files, RAW camera images, TIFF images and other file types can be recovered for an additional \$20. Please specify if you expect us to find such file types.

| | |
|------------------------|--------|
| 2 GB memory card..... | 34.95 |
| 4 GB memory card..... | 39.95 |
| 8 GB memory card..... | 49.95 |
| 16 GB memory card..... | 64.95 |
| 32 GB memory card..... | 124.95 |

We can print an Index Print of your recovered images. They are a handy tool for locating and retrieving images from your library of CDs. File names are printed below each image to assist you when reordering prints. Index Prints are priced by the sheet—40 images per sheet.

| | |
|---|------|
| 4x6 Index Print with 40 images per sheet | 1.99 |
| 8x10 Proof Sheet with 40 images per sheet | 6.50 |

READ THIS NOTICE: Submitting any film, print, digital media, or images in any form to this firm for processing, printing, or other handling constitutes an AGREEMENT by you that any damage or loss by our company, subsidiary, or agents, even though by our negligence or other fault, will only entitle you to replacement with a like amount of imaging media or unexposed film and processing, if available. The acceptance by us of the film, print, digital media, or images is without other warranty or liability, and recovery for any incidental or consequential damages is excluded. 90-day unclaimed orders will be considered abandoned.

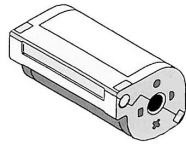


320-251-2622 St. Cloud, MN

All prices, specifications & service times are subject to change without notice.

APS Film Processing

Advanced Photo System® (Kodak Advantix, Fujifilm Nexia or "240") Color Prints on KODAK ROYAL PAPER
July 10, 2022



APS Develop & Print

Service Time: 2 Lab Days

Our qualified technicians optimize the color and exposure of every image while printing on Kodak Royal Paper.

- FREE INDEX PRINT included
- Choose Matte or Glossy finish
- 4x6 Classic, 4x7 HDTV & 4x11½ Panoramic—same price
- Add your photos to a CD for easy reorders of reprints and enlargements, or to import images into your computer ▶

Minimum Charge: \$8.50 *Develop Only* fee

Handling Surcharge for a damaged APS cartridge, or for APS film which has been trimmed shorter than APS design standards: \$7.50 per roll.

APS Processing

| | First Set of 4" Prints | Identical Second Set |
|--|------------------------|----------------------|
| 25 Exposure | 23.50 | 12.50 |
| 40 Exposure | 32.50 | 20.00 |
| Discount for unprinted negatives..... | .60 each | .40 each |
| Additional full sets of prints, per print..... | .40 each | |

BLACK & WHITE prints from APS roll, add 2.95 per roll

APS Develop Only

Service Time: 2 Hours 8.50

APS Develop Only and Index Print

Service Time: 2 Days..... 12.50

APS Index Print from Developed Film

Service Time: 2 Days..... 4.00

Numbered symbols on the edge of each APS film cartridge indicate the status of the film enclosed:

1. Full circle: Unexposed film
2. Half circle: Partially exposed roll of film
3. Cross sign: Fully exposed but not yet developed
4. Rectangle: Negatives have been developed *

* Additionally, a punched tab on that edge of the APS cartridge (between #2 and #3) indicates that the negatives have been developed.

READ THIS NOTICE: Submitting any film, print, digital media, or images in any form to this firm for processing, printing, or other handling constitutes an AGREEMENT by you that any damage or loss by our company, subsidiary, or agents, even though by our negligence or other fault, will only entitle you to replacement with a like amount of imaging media or unexposed film and processing, if available. The acceptance by us of the film, print, digital media, or images is without other warranty or liability, and recovery for any incidental or consequential damages is excluded. 90-day unclaimed orders will be considered abandoned.

Scan APS Rolls

Service Time: 2 Lab Days (concurrent with developing)

Scans are an excellent medium for archiving your precious memories and ordering additional prints. All of our scanning options have high quality color corrected image files matching the images you receive on Kodak Royal Paper.

We combine multiple rolls onto one CD; however the **price is per ROLL** of film. Four rolls of APS film will fit onto one CD.

A CD Index Print of each roll is included at no charge.

| Scanning each APS Roll with Develop & Print..... | ¹ Reprint Quality CD | ² Enlargement Quality CD |
|--|---------------------------------|-------------------------------------|
| Plus APS Develop & Print fee (see left column) | 5.99 | 10.99 |

Scanning APS Roll without

ordering prints 8.99* 13.99*

* Add *Develop Only* charge if roll is unprocessed

¹ **Reprint Quality Scans:** Will produce high quality 4x6, 4x7 and 5x7 prints. Pixel dimensions: 1500 x 856

² **Enlargement Quality Scans:** Will produce high quality Panoramic prints, enlargements and cropped reprints. Pixel dimensions: 3000 x 1712

APS Reprints & Enlargements

Service times: 3 Lab Days (up to 12x18 size)
5 Lab Days (larger than 12x18)

Printed on Kodak Royal Paper - Matte or Glossy finish
16x20 to 20x30: Lustre finish paper

Cropping: Add \$.99 per **negative** for 4x6, 4x7 & wallet prints.
Add \$2.99 per **negative** for enlargements.

Quantity prices are per print from SAME negative.

| Qty per negative ▶ | 1-4 | 5-23 | 24-49 | 50-99 | 100+ |
|---------------------|------|------|-------|-------|------|
| 4x6 — Classic | .95 | .79 | .55 | .46 | .36 |
| 4x7 — HDTV | .95 | .79 | .55 | .46 | .36 |
| 4x11½ Panoramic | 2.99 | | | | |

NOTE: If you order 1 reprint of all negatives on a pre-developed APS cartridge, we charge the "Develop & Print" prices at the top of the left pricing column.

Qty. per negative ▶ 1-2

| | |
|------------------|-------|
| 5x7 | 4.00 |
| 5x8 or 5x9 | 4.95 |
| 5x14 | 6.30 |
| 8x10 | 7.50 |
| 8x12 | 8.60 |
| 8x14 | 9.20 |
| 11x14 | 17.25 |
| 11x16 or 11x17 | 19.50 |
| 12x18 | 22.95 |
| 12x24 | 28.95 |
| 12x36 | 36.75 |

120 Professional Process, Print, Enlargements

C-41 Process and Print on Kodak Professional ENDURA Paper
July 10, 2022

120, 220 & 620 Process & Print (C-41)

Service Time: 2 Lab Days. Same Day, add \$2.00 per roll.

Our qualified technicians optimize the color and exposure of every image while printing on Kodak ENDURA Paper.

- FREE INDEX PRINT included
- Lustre surface Kodak ENDURA paper—copyright watermark
- Matte or Glossy Kodak Royal paper are available on request
- Add film scans for ordering prints & enlargements, or to import images into your computer ►

| | 4x5 or 5x5 First Set | Identical Second Set |
|------------------------------|-------------------------|-------------------------|
| 120-10 exposure (6x7)..... | 18.50 | 5.00 |
| 120-12 exposure (6x6)..... | 20.50 | 6.00 |
| 120-15 exposure (6x4.5)..... | 23.50 | 7.50 |

220 size rolls—Add \$4.00 per roll to prices above
Discount for unprinted negatives.....1.00 each50 each
Additional full sets of prints, per print.....50 each

SEPIA-TONED PRINTS - Old fashioned brown tone (sepia) prints are available at time of developing—add 3.95 per roll.

Develop Only (C-41 Process)

Service Time: 1 Lab Day. Same Day, add \$2.00 per roll.
Processed negatives are long-sleeved and cut.

| | |
|-----------|-------|
| 120 | 8.50 |
| 220 | 13.00 |

120 & 620 Reprints & Enlargements

Service Time: 4 to 5 Lab Days

Negatives are scanned on an industrial scanner incorporating “Digital ICE” Dust and Scratch removal. Our qualified technicians optimize the color & exposure of every image. ENDURA Pro Paper. (Matte or Glossy Royal also available.)

Sepia Tone prints—add \$1.00 per negative (\$.50 for 5x5 or smaller)

Lustre surface Kodak Endura Professional paper is the default paper; Matte or Glossy also available.

CROPPING: Add \$.25 per **negative** for 4x6 or smaller prints.
Add \$.50 per **negative** for enlargements.

Quantity reprint prices apply to the total number of **same-size** prints requested **from all same-size negatives** in one order.

| Prints per order ► | 1-3 | 4-9 | 10-49 | 50+ |
|----------------------------|------|------|-------|------|
| 4x5, 4x4, 4x6, 3½x5 | 2.25 | 2.15 | 2.00 | 1.85 |
| 5x5 (from 6x6cm neg) | 2.25 | 2.15 | 2.00 | 1.85 |

Quantity enlargements: per print from SAME neg.

| Qty. per negative | 1-2 | 3+ |
|-------------------|-------|-------|
| 5x7 | 6.00 | 2.85 |
| 8x10 | 10.25 | 5.25 |
| 8x12, 10x10 | 11.50 | 5.95 |
| 11x14 | 20.75 | 11.60 |
| 11x16 | 21.75 | 13.00 |
| 12x18 | 25.00 | 15.50 |

8 wallets die cut... 7.75 per sheet

2 wallets, uncut ...2.50 Add \$.15 each for die cutting

For larger prints see **WIDE FORMAT ENLARGING**, page 2.

Scan 120 & 620 Rolls

Service Time: 2 Lab Days (concurrent with Proofing)

Negatives are scanned on a high resolution industrial scanner incorporating *Digital ICE* Dust and Scratch removal.

Scanned images have color corrected image files matching the proofs you receive on Kodak ENDURA Paper.

Price is per ROLL of film. We combine multiple rolls from the same job onto one CD. TIFF format: add \$5.00 setup charge.

A CD Index Print of each roll is included at no charge.

220 size rolls—Double the price below per roll

| Scanning Price per Roll with Develop & Proof..... | ¹ Enlargement Quality Scans..... | ² Super Resolution..... |
|---|---|------------------------------------|
| 5.99 | 14.99 | |

Plus 120 Develop & Print fee (see left column)

Scanning Price per uncut 120 roll

with NO Prints 13.99* 21.99*

*Add *Develop Only* charge if roll is unprocessed

¹ **Enlargement Quality** (Standard Resolution for 120 size) pixel dimensions of 120 formats: 6x4.5—2000 x 1500; 6x6—2000 x 2000; 6x7—2460 x 2000; 6x9—3000 x 2000

² **Super Resolution** pixel dimensions of 120 formats: 6x4.5—4800 x 3500; 6x6—4800 x 4800; 6x7—5900 x 4800; 6x9—7200 x 4800

Scan 120 Cut negatives -- see page 7.

Develop with Enlargements

From full roll at time of developing. 3 Lab Days

8x12 size (plus *Develop Only* charge).....4.95 each

11x14 size (plus *Develop Only* charge).....8.95 each

Retouching Services from Negatives

Service Time: 5 Lab days plus time to print, mounting, canvas, etc.

Standard fees for typical retouching orders (simple blemish removal, stray hair, minor clothing enhancement):

Image(s) burned to CD.....5.99 per CD

Basic (1 head).....12.00

Basic (2 heads).....16.00

Glass Glare, not in eyes.....18.00

120
Film
Roll
(Undeveloped)



READ THIS NOTICE: Submitting any film, print, digital media, or images in any form to this firm for processing, printing, or other handling constitutes an AGREEMENT by you that any damage or loss by our company, subsidiary, or agents, even though by our negligence or other fault, will only entitle you to replacement with a like amount of imaging media or unexposed film and processing, if available. The acceptance by us of the film, print, digital media, or images is without other warranty or liability, and recovery for any incidental or consequential damages is excluded. 90-day unclaimed orders will be considered abandoned.

35mm Professional Film Processing

C-41 Process 35mm Color Prints on Kodak Professional ENDURA Paper

July 10, 2022

Develop with 4x6 or 3½x5 Prints

Service Time: 1 Lab Day; Same day, add \$2.00 / roll.

Our qualified technicians optimize the color and exposure of every image while printing on Kodak ENDURA Paper

- Professional watermark on back of prints - "Kodak Professional ENDURA Paper - DO NOT COPY"
- FREE INDEX PRINT included
- Add your photos to a CD for easy reorders of reprints and enlargements, or to import images into your computer for retouching or digital enhancement of images ►
- Lustre surface is standard

Minimum Charge: \$5.95 *Develop Only* fee

| | 4x6 or 3½x5 First Set | Identical 2nd Set |
|--|--------------------------|----------------------|
| 24 Exposure | 20.35 | 12.00 |
| 36 Exposure | 27.55 | 18.00 |
| Discount for unprinted negatives..... | .60 each | .50 each |
| Additional full sets of prints, per print..... | .50 each | |
| White Borders, add | 2.00 per roll | |

BLACK & WHITE or SEPIA-TONED PRINTS from color film, see pages 13 and 14.

Develop with 5x7 BIG Prints

- FREE INDEX PRINT (3½x5)
- Add your photos to a CD for easy reorders of reprints and enlargements, or to import images into your computer for retouching or digital enhancement of images
- Lustre finish Professional ENDURA Paper

| | 5x7 First Set | 5x7 2nd Set |
|---|------------------|----------------|
| 24 Exposure - 5x7 size | 29.95 | 19.20 |
| 36 Exposure - 5x7 size | 41.95 | 28.80 |
| Discount for unprinted negatives...1.00 each..... | .80 each | |
| Additional full sets of prints, per print..... | .80 each | |

**"Cross Processing": E-6 film in
C-41 process, add \$2.95**

Develop Only

Service Time: 1 Day: Same day, add \$2.00 per roll

Processed negatives are cut into 4-frame strips and packaged in flat sleeving unless requested uncut.

24 or 36 Exposure C-41 5.95

READ THIS NOTICE: Submitting any film, print, digital media, or images in any form to this firm for processing, printing, or other handling constitutes an AGREEMENT by you that any damage or loss by our company, subsidiary, or agents, even though by our negligence or other fault, will only entitle you to replacement with a like amount of imaging media or unexposed film and processing, if available. The acceptance by us of the film, print, digital media, or images is without other warranty or liability, and recovery for any incidental or consequential damages is excluded. 90-day unclaimed orders will be considered abandoned.

35mm Rolls Developed

Service Time: 1 Lab Day

Scans are an excellent medium for archiving your images and for ordering additional prints. All of our scanning options have high quality color corrected image files matching the images you receive on Kodak ENDURA Paper.

We combine multiple rolls of film onto one CD; however the **price is per ROLL** of film. 500 Reprint Quality¹ scans or 135 Enlargement Quality² scans fit onto one CD. A CD Index Print of each roll is included at no charge.

| | ¹ Reprint Quality Scans | ² Enlargement Quality Scans | ³ Super Resolution Scans |
|--|--|--|---|
| Scanning Price per Roll with Develop & Print..... | 5.99..... | 10.99 | 19.99 |
| Plus 35mm Develop & Print fee (see left column) | | | |

| | | | |
|--|-------------|--------------|--------|
| Scanning Price per uncut roll with NO Prints..... | 8.99* | 13.99* | 24.99* |
|--|-------------|--------------|--------|

*Add **Develop Only** charge if roll is unprocessed

¹ **Reprint quality CD:** Will produce high quality 3½x5, 4x6 and 5x7 prints. Pixel dimensions: 1500 x 1000

² **Enlargement Quality CD:** Will produce high quality enlargements and cropped reprints. Pixel dimensions: 3000 x 2000

³ **Super Resolution 35mm Scan:** Will produce Posters & Wide Format Enlargements. Pixel dimensions: 6700 x 4400. One CD holds up to 25 scans.

Scans are saved as highest quality JPEG files (Level 12 JPEG compression). **TIFF** format files are available for an additional \$5.00 setup charge per order (any number of rolls).

Push Processing

Service Time: Add one extra day to other services requested

Push processing is NOT recommended. However if you must push your C-41 film, only 2 f/stops of speed increase can be achieved. Improved results are not guaranteed.

Push/Processing, add 3.95 per roll

8½x11 Proof Sheet from 35mm Rolls

Service Time: 2 Lab Days

Negatives are scanned, color corrected, and digitally printed on Endura Lustre paper, on an 8½x11" contact sheet which resembles a traditional contact sheet. Then we sleeve the negatives.

8½x11 Proof Sheet (with *Develop & Print*
or *Develop to CD—No Prints* service) .. add 9.50

8½x11 Proof Sheet
with NO Prints add 12.50*
* Add **Develop Only** charge if roll is unprocessed

Develop with Enlargements

From full roll at time of developing. 2 Lab Days.

8x12 size (plus *Develop Only* charge) 4.95 each
11x14 size (plus *Develop Only* charge) 8.95 each

All prices, specifications & service times are subject to change without notice.

35mm Professional Reprints, Enlargements & Scanning

From 35mm C-41 Color negatives, printed on Kodak Professional ENDURA Paper

July 10, 2022

Color 35mm Reprints & Enlargements

Service Time: 3 to 4 Lab days

Negatives are scanned on an industrial high resolution scanner incorporating "Digital ICE" Dust and Scratch removal. Our qualified technicians optimize the color and exposure of every image while printing on Kodak ENDURA Pro Paper.

Quantity prices are per print from SAME negative.

Lustre surface Kodak Endura paper is standard.

Please DO NOT use negative cards or masks.

For old-fashioned **Sepia Tone** prints:

Add \$.50 **per negative** for wallet to 4x6 print sizes.

Add \$1.00 **per negative** for 5x7 to 12x18 enlargements.

To precisely match the sepia color of a reference print that you submit, add \$4.95 per negative.

Single (cut) 35mm negatives: add \$.99 per negative to print.

CROPPING: Add \$.99 per **negative** for 3½x5 or 4x6 prints.

Add \$2.99 per **negative** for enlargements.

| Qty. per negative▶ | 1-4 | 5-23 | 24-49 | 50-99 | 100+ |
|--------------------|------|------|-------|-------|------|
| 3½x5 | 1.05 | .85 | .61 | .51 | .42 |
| 4x6 or 4x5 | 1.05 | .85 | .61 | .51 | .42 |

| Qty. per negative | 1-2 | 3-23 | 24-49 | 50-99 |
|-------------------|-------|-------|-------|-------|
| 5x7 | 4.30 | 3.25 | 2.10 | 1.40 |
| 8x10 | 7.99 | 6.00 | 4.00 | 2.60 |
| 8x12 | 9.15 | 7.00 | 4.50 | 2.99 |
| 11x14 | 18.50 | 14.25 | 8.90 | 6.50 |
| 11x16 | 22.00 | 15.30 | 10.10 | 7.00 |
| 12x18 | 25.00 | 17.85 | 14.50 | 11.00 |

For larger print sizes, see:

WIDE FORMAT ENLARGEMENTS, page 2.

Wallet Photos

Wallets are available in a set of 2 on a 3½x5 sheet, or 8 wallets printed on a 7x10 sheet and die cut with round corners.

8 wallets die cut...7.00 per sheet

2 wallets, uncut ... 1.65 Add \$.15 each for die cutting

Memory Mate, Prom, Sport and Event Packages

Special pricing available—ask Customer Service.

READ THIS NOTICE: Submitting any film, print, digital media, or images in any form to this firm for processing, printing, or other handling constitutes an AGREEMENT by you that any damage or loss by our company, subsidiary, or agents, even though by our negligence or other fault, will only entitle you to replacement with a like amount of imaging media or unexposed film and processing, if available. The acceptance by us of the film, print, digital media, or images is without other warranty or liability, and recovery for any incidental or consequential damages is excluded. 90-day unclaimed orders will be considered abandoned.

Scan 35mm Color Negatives

Service Time: 4 Lab days (1 week for over 250 negatives)

Negatives are scanned on an industrial high resolution scanner incorporating "Digital ICE" Dust and Scratch removal. Then our qualified technicians optimize the color and exposure of each image. So these image files will produce high quality prints, & can also be imported into your computer for graphic design applications, websites, e-mailing, etc.

Negatives must be submitted in strips of at least 3 inches long, or at least 2 images per strip; add \$.99 each for single 35mm negatives.

Scan a **complete roll** of 35mm cut negatives to CD:

¹ Reprint Quality scans (CD included)14.99 per roll

² Enlargement Quality scans (CD included)...22.99 per roll

| Add \$4.99 per CD | ¹ Reprint Quality Scans | ² Enlargement Quality Scans | ³ Super Resolution Scans |
|---------------------|------------------------------------|--|-------------------------------------|
| 35mm Negative Scans | | | |
| 1 - 3 | 1.95 | 2.85 | 9.99 |
| 4 - 9 | 1.49 | 1.99 | 7.99 |
| 10 - 49 | .99 | 1.69 | 5.99 |
| 50 - 99 | .79 | 1.09 | 4.60 |
| 100 - 249 | .69 | .99 | 3.45 |
| 250 - 499 | .52 | .79 | 2.80 |
| 500+ | .45 | .60 | 2.25 |

¹ **Reprint Quality Scan:** Will produce high quality 3½x5, 4x6 and 5x7 prints. Pixel dimensions: 1500 x 1000. One CD holds up to 500 scans.

² **Enlargement Quality Scan:** Will produce high quality enlargements and cropped reprints. Pixel dimensions: 3000 x 2000. One CD holds up to 135 scans.

³ **Super Resolution 35mm Scan:** Will produce Posters & Wide Format Enlargements. Pixel dimensions: 6700 x 4400. One CD holds up to 25 scans.

Mounting Service for Enlargements

Service Time: add 2 days to the time required to print the enlargement. Price includes either 3/16" premium black-core Gatorfoam® or 3/32" Mat Board (11x14 maximum size for Mat Board).

| | | | |
|------|-------|---------|-------|
| 5x7 | 8.25 | 11x14 | 14.30 |
| 8x10 | 10.75 | 11x16 * | 17.95 |
| 8x12 | 11.95 | 12x18 * | 19.25 |

* **Flat shipping (\$14.00 per order) is required if ship is requested.**

LIABILITY NOTICE: Photographs, copies, or artwork **not produced by The Camera Shop** are accepted by The Camera Shop for mounting, matte spray coating, laminating or related services without warranty or liability of any kind.

Please complete one of these order forms when ordering services from Page 12.

Video Tape to DVD Order Form

Name: _____

Phone # (____) _____

Email: _____

Contact me if the total price will exceed \$ _____.

Needed for an event on: ___/___/___ or No deadline

DVD Title — Menu On Screen (16 characters maximum):

1 2 3 4 5 6 7 8 9 10 11 12 13 14 15 16

Title you want on the surface of DVD (no limit of characters):

OR:

- Print titles on DVDs similar to info written on videotapes.
- Remove any TV shows before recording my DVD(s).
- Keep all TV shows on tapes & record them to DVD(s).
- Record only one video tape to each DVD.
- Record several video tapes to DVD if several tapes are short enough to combine (2 hours maximum per DVD).
- Video Tapes are numbered in a specific sequence; keep this sequence when combining several tapes to a DVD.

READ THIS NOTICE: Submitting any film, print, digital media, or images in any form to this firm for processing, printing, or other handling constitutes an AGREEMENT by you that any damage or loss by our company, subsidiary, or agents, even though by our negligence or other fault, will only entitle you to replacement with a like amount of imaging media or unexposed film and processing, if available. The acceptance by us of the film, print, digital media, or images is without other warranty or liability, and recovery for any incidental or consequential damages is excluded. 90-day unclaimed orders will be considered abandoned.

I understand and agree to the terms above.

_____/_____/_____
Customer Signature Date

Video Tape to USB Order Form

Name: _____

Primary Phone # (____) _____

Alternate Phone # (____) _____

Email: _____

Contact me if the total price will exceed \$ _____.

Needed for an event on: ___/___/___ or No deadline

- Remove any TV shows before recording the USB.
- Keep all TV shows on tapes & record them to the USB.
- Record only one video tape to each USB drive.
- Record several video tapes to USB.
- Video Tapes are numbered in a specific sequence; keep this sequence when combining several tapes to a USB.

Additional Instructions: _____

READ THIS NOTICE: Submitting any film, print, digital media, or images in any form to this firm for processing, printing, or other handling constitutes an AGREEMENT by you that any damage or loss by our company, subsidiary, or agents, even though by our negligence or other fault, will only entitle you to replacement with a like amount of imaging media or unexposed film and processing, if available. The acceptance by us of the film, print, digital media, or images is without other warranty or liability, and recovery for any incidental or consequential damages is excluded. 90-day unclaimed orders will be considered abandoned.

I understand and agree to the terms above.

_____/_____/_____
Customer Signature Date

FILM SIZE IDENTIFICATION GUIDE - Undeveloped Cassettes

35mm
Film
Cassette
or
"135-size"

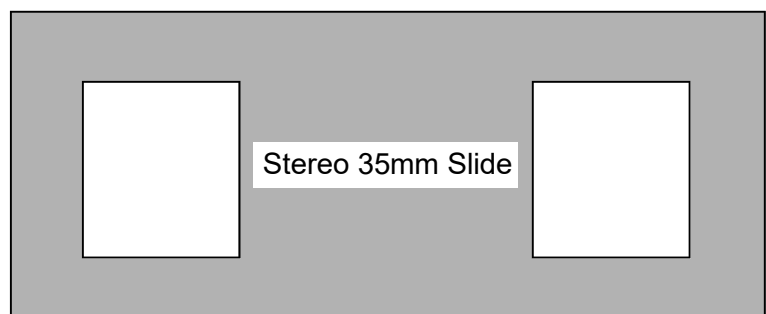
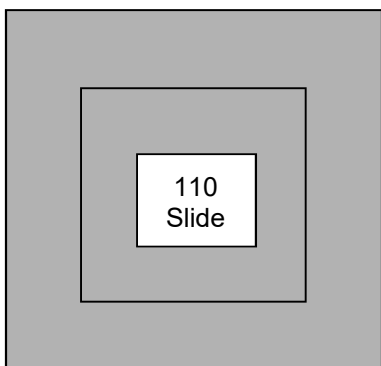
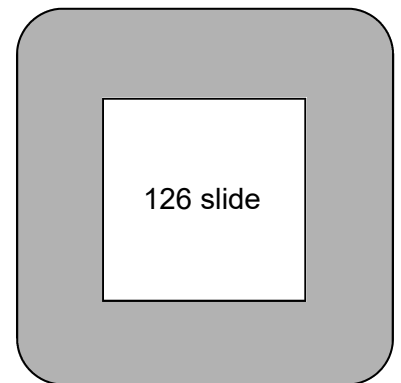
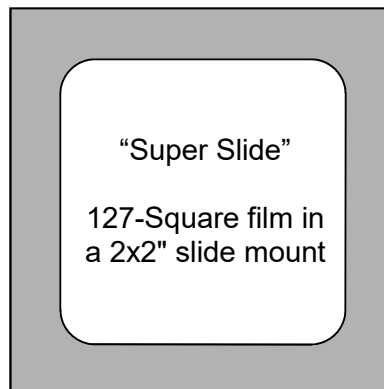
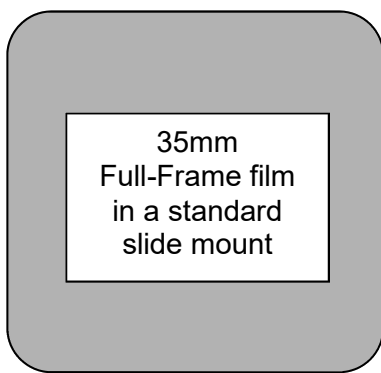
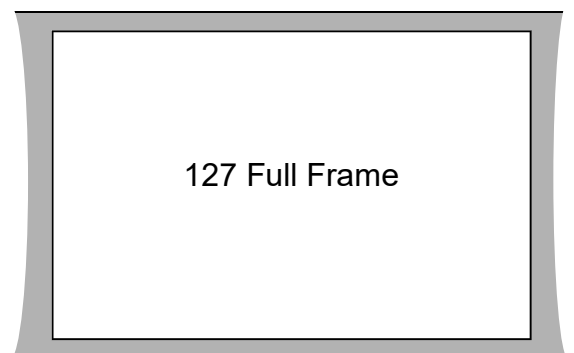
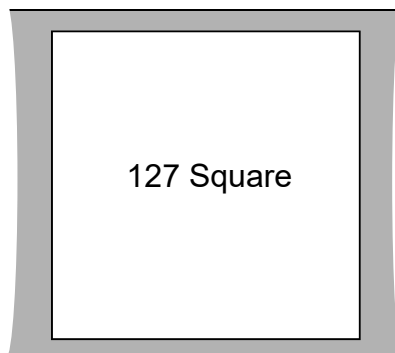
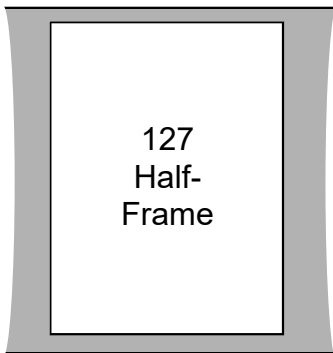
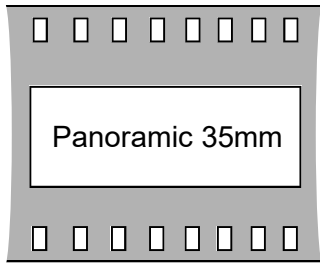
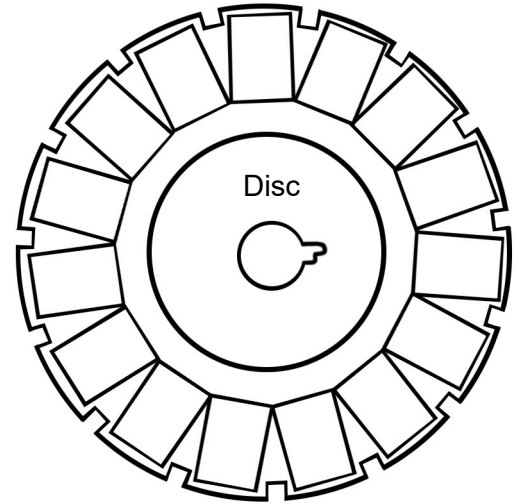
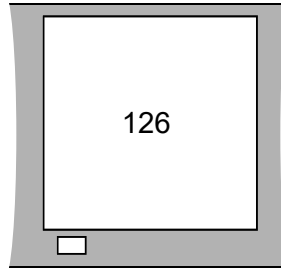
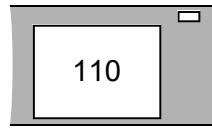
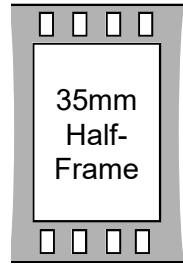
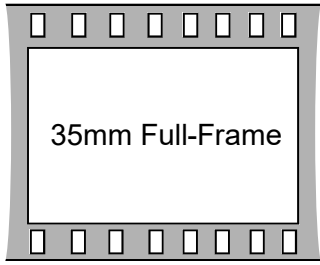


110-size Film Cassette



126-size Film Cassette

DO NOT CUT FILM SIZES ON THIS PAGE INTO SINGLE FRAMES!



120-size films are also known as "MEDIUM FORMAT" Films

120 or 620 Square
12 exposures per roll
 $2\frac{1}{4} \times 2\frac{1}{4}$ "
(6x6 cm)

120 - 15 exposure
6x4.5 cm
Also called "645"

120 Half-Frame
(16 exposures/roll)

120 Omega,
"Perfect Format"
or "Ideal Format"
10 exposures per roll
 $2\frac{1}{4} \times 2\frac{3}{4}$ "
(6x7 cm)

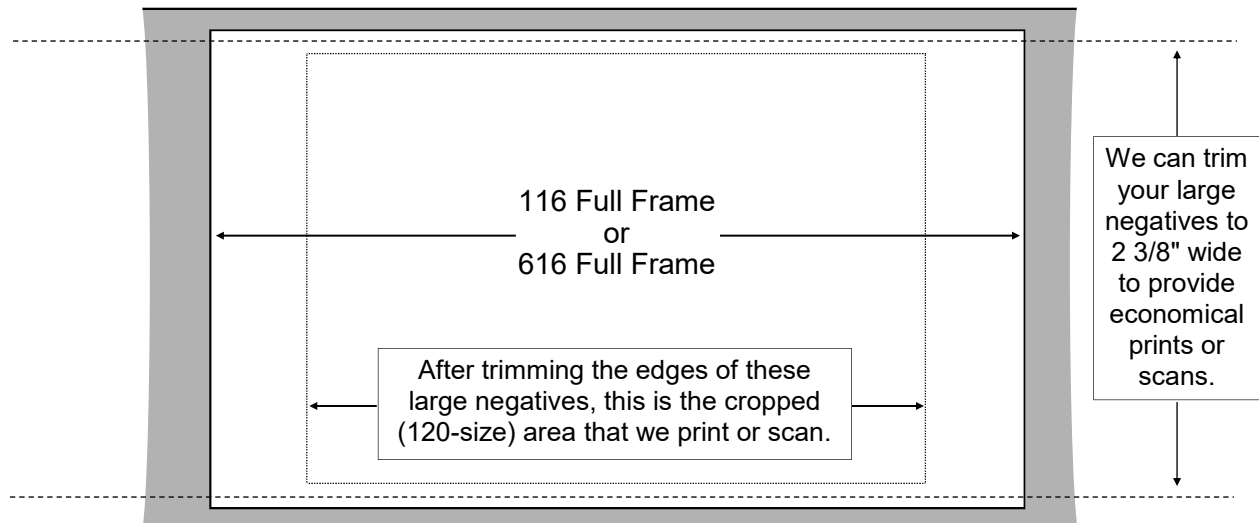
120 or 620 Full Frame
8 exposures per roll
 $2\frac{1}{4} \times 3\frac{1}{4}$ "
(6x9 cm)

828



← APS
or Advance Photo System.
(Film remains in its cassette
after processing.)

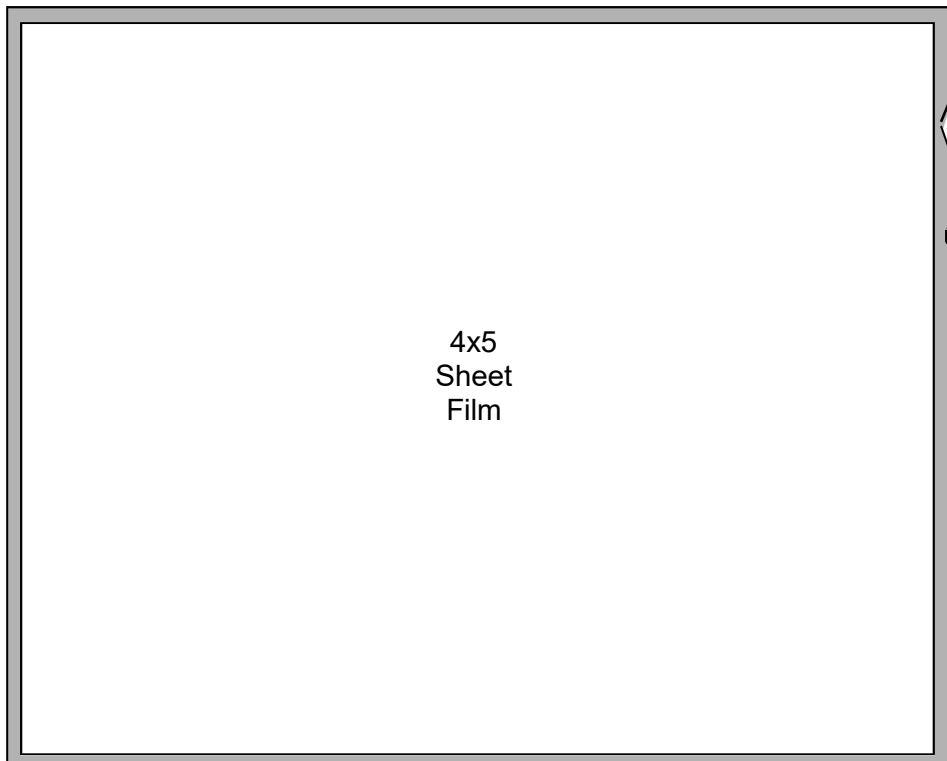
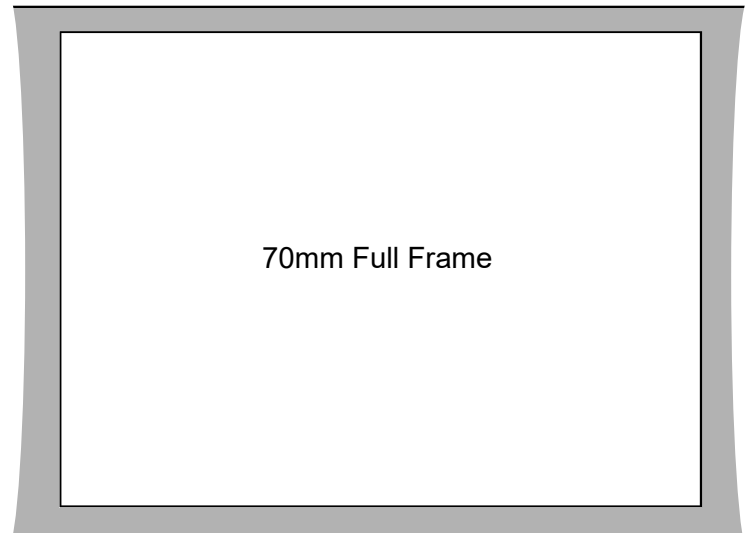
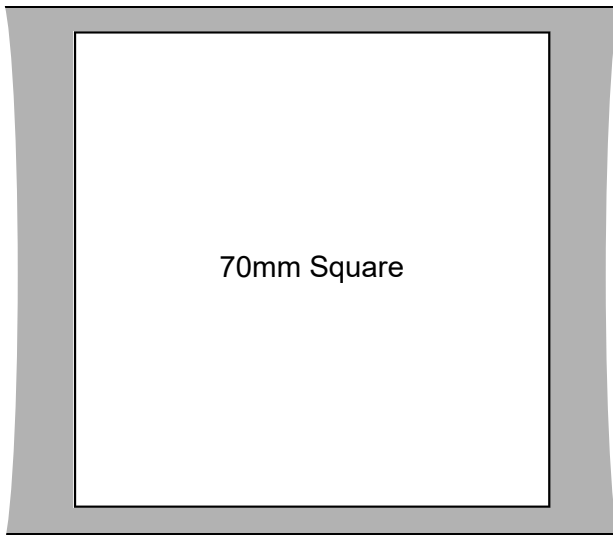
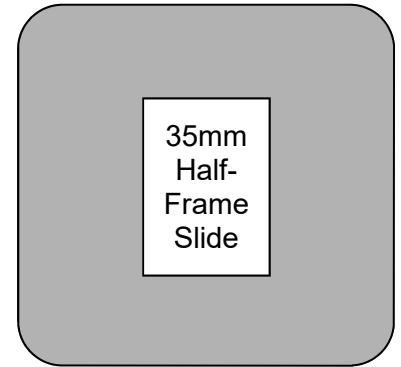
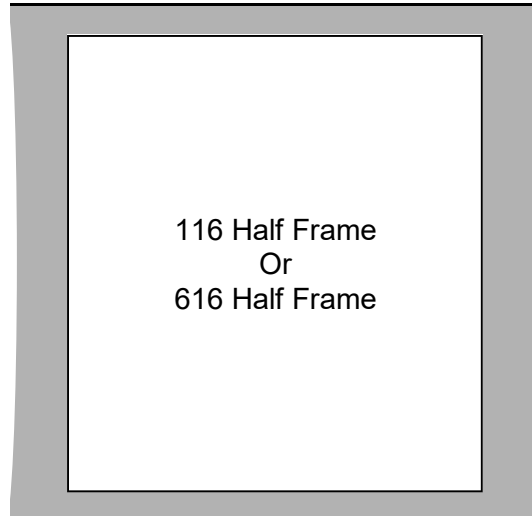
For negatives that are larger than $2\frac{3}{8}$ " wide (116, 616 or 70mm), we offer two options for printing or scanning: (1) we trim $\frac{3}{16}$ " off the 2 narrow edges of the negative (dashed line below), and print or scan the film in our 120-size negative carrier; or (2) we print or scan the full negative. See bottom of page 14 for pricing these options.



See notes on the bottom of page 27 concerning the trimming of 70mm, 116 and 616-size negatives so economical prints and scans can be made from these wide negative sizes.

For printing prices, see page 14.

For scanning prices, see the right-hand column of page 7.



This 3-page *Film Size Identification Guide* does not list every size of film. There are other old films that had been manufactured many years ago, including:

122-size: A "big brother" to 116 / 616 film. The spool measures 3 3/4" (95mm).

Agfa Rapid: a film cassette similar to 35mm film cassettes.



Index of Photofinishing Services

July 10, 2022

| | | | |
|--|---------------------|---|---------------|
| APS, Advanced Photo System, Advantix, Nexia | 21 | Magnets..... | 17 |
| Audio Tape Transfers | 12 | Memory Card to CD | 1 |
| Betamax Video Transfer to DVD..... | 12 | Memory Card Recovery | 20 |
| Black & White Enlargements | 14 | Metal Art..... | 18 |
| Black & White Services..... | 13,14 | Mounting Service for Enlargements..... | 2 |
| Blu-Ray Discs from Movies or Video Tapes | 11 | Mouse Pad | 17 |
| Business Cards..... | 19 | Negative from Print (Copy Negative) | 5 |
| Buttons | 17 | Nexia (Fujifim Advanced Photo System) | 21 |
| Calendar..... | 17 | Ornament | 17 |
| Canvas Prints..... | 18 | Movie/DVD Transfer and Duplication..... | 11,12 |
| Cell Phone Videos and Photos to DVD | 12 | Mug | 17 |
| Ceramic Photo Mugs & Ornaments | 17 | Negatives to CD | 7 |
| Coffee Mug..... | 17 | Panoramic Prints & Enlargements | 1,2,4 |
| Color 35mm/120 & Nonstandard Negs Scanned..... | 7 | Photo Gifts & Novelty Items | 17 |
| Color 35mm Reprints & Enlargements | 4,24 | Photo Greeting Cards | 19 |
| Computer Mouse Pad | 17 | Photo Restoration | 20 |
| Contact Sheet (Proof Sheet)..... | 3,13,23 | Porcelain Ornaments | 17 |
| Copy Negative..... | 5 | Poster Prints..... | 2 |
| Copy Print | 5 | Press-Printed Products | 19 |
| Dog Tags..... | 17 | Prints from 120 Transparencies | 10 |
| Digital Prints and Enlargements..... | 1,2 | Print Scanning..... | 5,6 |
| DVD Slideshow from Prints, Slides, Negs, Digital | 8 | Prints from Digital Media | 1,2 |
| DVD/VHS Transfer and Duplication..... | 11,12 | Prints from Prints..... | 5,6 |
| Duplicate Slides | 9 | Prints from Slides | 10 |
| Endura Paper—Professional Printing | 1,22,23,24 | Professional Printing (Endura Paper) | 1,19,22,23,24 |
| Enlargements | | Proof Sheet (Contact Sheet)..... | 3,13,23 |
| Black & White Negatives | 2,14 | Push Processing | 3,9,13,23 |
| Color Negatives | 2,4,22,24 | Puzzles..... | 17 |
| Digital Files | 1,2 | Quilt Square/Fabric Transfer..... | 17 |
| Scanned photos..... | 1,2,5 | Repair Video Tapes | 12 |
| Slides | 2,10 | Reprints from B&W Negatives | 14 |
| Fabric Transfer/Quilt Squares..... | 17 | Reprints from 35mm C-41 Negatives..... | 2,4,24 |
| Film Processing (Developing) | | Reprints from 120 & Odd size C-41 negatives.... | 15,22 |
| Black & White | 13 | Reprints from Scans..... | 1,5 |
| Color Negative (C-41 Process) .. | 3,15,16,21,22,23 | Reprints from Digital..... | 1 |
| Damaged film | 3 | Restoration, Enhancement & Recovery..... | 20 |
| Disc Film, 110,126,127,35mm ½ frame | 15,16 | Recover Lost Images from Memory Card | 20 |
| Ektachrome, Fujichrome..... | 9 | Retouching & Restoration | 20, 22 |
| Infrared Developing (E6 and B&W)..... | 9,13 | Scanning Color Negatives to CD | 3,4,7,24 |
| Kodachrome | 16 | Scan Prints | 5,6 |
| Movie Film Developing | No Longer Available | Scan 110 or 126 negatives | 15 |
| Outdated Film | 15,16 | Sheet film—4x5 Size Negatives, Transparencies.... | 16 |
| Panoramic | 1, 2, 3, 4, 13, 21 | Shoebox Photo Archive scanning | 6 |
| Professional (Printed on <i>Endura</i> Paper).. | 22,23,24 | Slide Processing | 9 |
| Push Processing..... | 3,9,13,23 | Slides from Prints, Negatives & Digital files | 9 |
| Seattle Filmworks (ECN-II, SFW-XL) | 15 | Slides to CD | 7,9,10 |
| Sheet Film: 4x5-Size Negatives | 16 | Slides to Prints | 10 |
| Slide Processing..... | 9 | Transfer Old Movies to DVD | 11 |
| Super 8 Movie Processing | No Longer Available | Transparencies..... | 7,10,16 |
| Verichrome Pan (Black & White process) | 13 | Transparencies to CD | 7,16 |
| Fine Art Prints | 2 | T-Shirts..... | 17 |
| Foreign Videotape Conversion (PAL, SECAM)..... | 12 | USB Drive from Scans, Videos | 5,12 |
| Gallery Wrap Canvas Prints..... | 2 | Verichrome Pan (B&W)..... | 13 |
| Gatorfoam® Mounting..... | 2 | Video Duplication | 12 |
| Gift items | 17 | Video Tape to Print (Video Negative) | 16 |
| Giclee Fine Art Prints | 2 | Video Tape Repair | 12 |
| Glass Negatives, Scanning & Printing | 7,14,16 | VHS to DVD | 12 |
| Greeting Cards | 19 | Water Bottles, Travel Mugs..... | 17 |
| Index Print/Proof Sheet..... | 1,3,23 | Wide Format Enlargements (16x16 or larger)..... | 2 |
| Locket Size Print | 17 | | |